

Bowers & Wilkins

Manual

603 S2

ANNIVERSARY EDITION

Welcome and thank you for choosing Bowers & Wilkins.

Our founder, John Bowers, believed that imaginative design, innovative engineering and advanced technology were keys that could unlock the enjoyment of audio in the home. His belief is one that we continue to share and inspires every product we design.

This is a high performance product that rewards thoughtful installation, so we suggest that you take some time to read this manual before you begin. **Continue on page 5** →

Willkommen bei Bowers & Wilkins. Der Firmengründer John Bowers war der Meinung, dass ein wunderschönes Design, eine innovative Konstruktion und ausgeklügelte Technologien die Schlüssel zu Audio-Entertainment der Extraklasse in Ihrem Zuhause sind. Wir teilen seine Meinung und jedes von uns entwickelte Produkt basiert darauf.

Dies ist ein erstklassiges Produkt, dessen Installation und Setup gut durchdacht werden müssen. Wir empfehlen daher, sich ein wenig Zeit zu nehmen und diese Bedienungsanleitung vor der Installation zu lesen. **Fortsetzung auf Seite 17** →

Bem-vindo e obrigado por escolher a Bowers & Wilkins.

O nosso fundador, John Bowers, acreditava que um desenho criativo, engenharia inovadora e tecnologia avançada eram as chaves que poderiam abrir portas para se desfrutar do áudio em casa. A sua crença é algo que continuamos a partilhar e que inspira cada produto que desenhamos.

O produto que adquiriu possui elevados padrões de desempenho que requerem uma instalação cuidadosa, pelo que recomendamos que leia este manual antes de utilizar o produto. **Continuação na página 29** →

Bienvenue et merci d'avoir choisi Bowers & Wilkins. Notre fondateur, John Bowers, était persuadé qu'une conception imaginative, des innovations en terme d'ingénierie et des technologies parmi les plus avancées, étaient les clés ouvrant les portes du plaisir de l'écoute à domicile. Ce qu'il croyait fait partie de ce que nous continuons encore à partager et se retrouve dans tous les produits que nous concevons aujourd'hui.

Vous disposez d'un produit dont les hautes performances méritent une installation soignée, par conséquent nous vous suggérons de consacrer un peu de temps à lire ce manuel avant de commencer à l'utiliser. **Rendez vous à la page 11** →

Bienvenido y gracias por elegir Bowers & Wilkins.

John Bowers, nuestro fundador, estaba firmemente convencido de que el diseño imaginativo, la ingeniería innovadora y la tecnología avanzada eran las claves a la hora de llevar el disfrute del sonido a la intimidad del hogar. Una creencia que seguimos compartiendo y que inspira todos y cada uno de los productos que diseñamos.

Si se instala adecuadamente, tanto la 603 S2 es un producto que ofrece unas prestaciones muy elevadas, por lo que le sugerimos que antes de ponerse manos a la obra dedique un poco de su tiempo a leer este manual. **Continúa en la página 23** →

Benvenuti e grazie per aver scelto un prodotto Bowers & Wilkins.

Il nostro fondatore, John Bowers, era convinto che design attraente, capacità d'innovare e tecnologie all'avanguardia fossero fattori vincenti per la riproduzione audio domestica. Le sue idee sono ancor oggi condivise da noi tutti e fonte d'ispirazione per ogni nuovo prodotto che realizziamo.

Questo modello è un diffusore di alte prestazioni che merita di essere installato in maniera scrupolosa. Vi suggeriamo pertanto di leggere attentamente questo manuale prima di iniziare. **Continua a pagina 35** →

Welkom en dank voor de aanschaf van een product van Bowers & Wilkins. Onze oprichter John Bowers geloofde in vindingrijke ontwerpen: innovatieve en vooruitstrevende technologie vormen de kern waarmee plezier met muziek thuis kan worden gerealiseerd. Deze visie is nog altijd ons uitgangspunt en vormt de inspiratie voor elk product dat we ontwikkelen.

Dit is een hoogwaardig product dat een zorgvuldige installatie verdient, daarom raden we u aan de tijd te nemen deze handleiding te lezen voordat u begint. **Lees verder op pagina 41 →**

Добро пожаловать и благодарим вас за приобретение акустики компании Bowers & Wilkins. Наш основатель, Джон Бауэрс, верил в то, что творческий подход в проектировании, новаторская конструкция и передовые технологии смогут открыть людям путь к подлинному звучанию в доме. Мы продолжаем разделять его веру, и она вдохновляет нас при проектировании всех новых продуктов. Эти акустические системы способны на высококачественное воспроизведение звука, поэтому они заслуживают вдумчивого подхода к установке, и мы советуем вам уделить некоторое время на изучение этой инструкции, прежде чем приступить к прослушиванию. **Продолжение на стр. 53 →**

Köszönjük, hogy a Bowers & Wilkins-t választotta. Amikor John Bowers megalapította a társaságot, célja az volt, hogy az ötletes dizájn, innovatív megoldások és fejlett technológia révén tökéletesítse az otthoni hangzásvilág élményét. Ez az elképzelés mai napig a vállalat mozgatórugója, amely minden termékünk tervezését meghatározza.

Ennek a kiváló minőségű terméknek a beüzemeléséhez odafigyelés szükségeseltetik, ezért javasoljuk, hogy szánjon egy kis időt ennek az útmutatónak az elolvasására. **Folytatódik a 65. oldalon. →**

Καλώς ήρθατε και ευχαριστούμε που επιλέξατε την Bowers & Wilkins. Ο ιδρυτής μας, John Bowers, πίστευε πως η ευφάνταστη σχεδίαση, οι ευρηματικές λύσεις σε τεχνικά προβλήματα και η προηγμένη τεχνολογία είναι τα κλειδιά για την απόλαυση του ήχου στο σπίτι. Οι απόψεις του εξακολουθούν να μας βρίσκουν σύμφωνους και να εμπνέουν κάθε προϊόν που σχεδιάζουμε.

Αυτό είναι ένα προϊόν υψηλής απόδοσης, το οποίο αξιοποιείται καλύτερα μετά από προσεκτική εγκατάσταση, οπότε σας προτείνουμε να διαθέσετε λίγο χρόνο για να διαβάσετε αυτό το εγχειρίδιο προτού αρχίσετε. **Συνέχεια στη σελίδα 47 →**

Vítejte u Bowers & Wilkins. Děkujeme Vám, že jste si zvolili značku Bowers & Wilkins. Když John Bowers zakládal naši firmu, věřil, že nápadité provedení, novátorský přístup a pokročilé technologie jsou klíčem otevírajícím dveře kvalitní reprodukci. Touto filozofií se dodnes inspiroveme, kdykoli tvoříme nový produkt.

Pro docílení co nejlepšího přednesu těchto reproduktů je velmi důležitá jejich správná instalace. Dříve nežli začnete, věnujte prosím trochu času přečtení tohoto manuálu. **Pokračujte na stranu 59 →**

Dziękujemy za wybór produktu firmy Bowers & Wilkins. John Bowers założył swoją firmę, ponieważ wierzył, iż ciekawy wygląd, innowacyjna konstrukcja i zaawansowana technologia są kluczami do rozkoszowania się dźwiękiem w domowym zaciszu. Ta właśnie wiara towarzyszy nam i inspirowała każdy produkt, który tworzymy.

Niniejszy produkt wymaga starannej instalacji, dlatego sugerujemy zapoznanie się z poniższymi instrukcjami zanim zaczniesz korzystać z produktu. **Ciąg dalszy na stronie 71 →**

Hoş geldiniz ve Bowers & Wilkins'ı seçtiğiniz için teşekkür ederiz. Kurucumuz John Bowers, yaratıcı tasarımcının, yenilikçi mühendisliğin ve ileri teknolojinin, evde sesin keyfini çıkarmanın kilidini açacak anahtarlar olduğuna inanıyordu. O'nun inancını paylaşmayı sürdürmekteyiz ve bu inanç, tasarladığımız her ürüne ilham vermektedir.

Bu, dikkatli kurulum gerektiren yüksek performanslı bir üründür, bu nedenle başlamadan önce bu kılavuzu okumaya zaman ayırmanızı öneririz. **Devamı Sayfa 77'te →**

欢迎并感谢您选择Bowers & Wilkins. 我们公司的创办人 John Bowers先生相信具有想象力的设计、创新的工程学设计和先进的技术是开启家庭音响娱乐大门的重要元素。我们依然坚持着他的信念，并赋予我们所有产品设计灵感。

这是一款高性能产品，在妥当安装后您将获得极佳的音效，因此我们建议您在开始安装前花一些时间仔细阅读本手册。

第83页继续 →

歡迎並感謝您選擇Bowers & Wilkins。 我們公司的創辦人 John Bowers先生相信具有想象力的設計、創新的工程學設計和先進的技術是開啓家庭音響娛樂大門的重要元素。我們依然堅持著他的信念，並賦予我們所有產品設計靈感。

這是一款高性能產品，在妥當安裝後您將獲得極佳的音效，因此我們建議您在開始安裝前花一些時間仔細閱讀本手冊。

第89頁繼續 →





Bowers & Wilkins製品をお買い上げいただき、ありがとうございます。 Bowers & Wilkinsの創業者であるJohn Bowersは、創意に富んだデザインと革新的な工業技術、そして先進技術が、家庭でもオーディオを充分に楽しむ鍵であると信じていました。現在でも彼の信念はBowers & Wilkinsで共有されており、この信念はBowers & Wilkinsが設計するすべての製品に命を吹き込んでいます。

お買い上げいただいたスピーカーは、念入りな設置を行う価値のある、非常に高性能な製品です。ご使用になる前に、このマニュアルをお読みください。**95ページに続く →**

Bowers & Wilkins 製品を 구매하여 주신데 대해 깊이 감사 드립니다. Bowers & Wilkins의 창립자 John Bowers는 가정에서 오디오의 즐거움을 느끼게 하는 중요 요소는 창의력이 풍부한 디자인, 혁신적 엔지니어링과 고도의 기술이라고 확신하였습니다. 그의 신념은 현재도 Bowers & Wilkins에서 공유되고 있으며 Bowers & Wilkins가 설계하는 모든 제품에 생명을 불어 넣고 있습니다.





본 제품은 성능이 매우 뛰어난 스피커로서 설치하는데 세심한 주의가 필요합니다. 사용하시기 전에 이 매뉴얼을 잘 읽어 보시기 바랍니다. **101쪽에 계속 →**

1. Unpacking

	1
	4
	4
	1

Carton Contents**Check in the carton for:**

- 1 Foam plug
- 1 Accessory pack containing
 - 4 Rubber feet
 - 4 M6 spike feet
 - 4 Lock nuts (10mm across flats)
- 1 Plinth
- 1 Accessory pack containing
 - 1 Allen key
 - 4 M6 x 35mm screws
 - 4 Plain washers
 - 4 Shakeproof washers

	1
	4
	4
	4

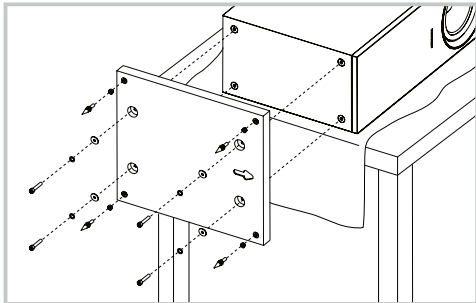
Environmental Information

This product complies with international directives, including but not limited to:

- i. the **R**estriction of **H**azardous **S**ubstances (RoHS) in electrical and electronic equipment,
- ii. the **R**egistration, **E**valuation, **A**uthorisation and restriction of **C**hemicals (REACH)
- iii. the disposal of **W**aste **E**lectrical and **E**lectronic **E**quipment (WEEE).

Consult your local waste disposal authority for guidance on how properly to recycle or dispose of this product.

2. Positioning



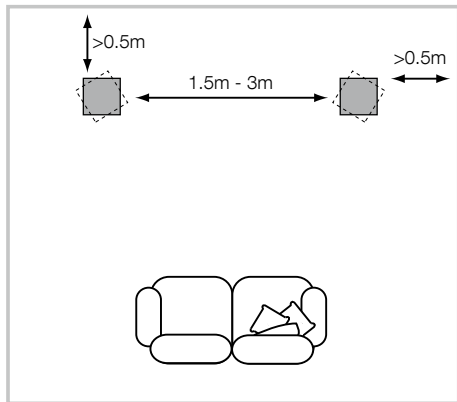
Speaker Installation

The speakers are intended to be floor mounted only. It is important to ensure that the speakers stand firmly on the floor using the spike feet supplied whenever possible. In addition, fit the plinth for proper stability.

You may attach the plinth during the unpacking process, following the diagrams on the top flap of the carton. Alternatively, you may attach it after the product has been fully unpacked, by covering a suitable support such as a table with a cloth and laying the speaker on its side with the base of the cabinet overhanging the support. Align the plinth with its attachment holes in the underside of the cabinet, ensuring that the arrow on the underside of the plinth points forwards. Secure the plinth using the screws and washers supplied. Fit the shakeproof washers between the plain washers and the screw heads. Tighten the screws using the Allen key supplied.

The spike feet are designed to pierce carpet and rest on the floor surface. Initially, screw the lock nuts onto the spikes enough to leave the nuts floating just above the carpet when the spikes are resting on the floor beneath. Screw the spikes fully into the threaded inserts in the plinth. If the cabinet rocks when placed on the floor, unscrew the two spikes that do not touch the floor until the cabinet rests firmly without rocking. Finally, lock the nuts against the cabinet. It may be more convenient to fit and adjust the spike feet after speaker positioning has been optimised.

If there is no carpet and you wish to avoid scratching the floor surface, use either a protective metal disc (a coin perhaps) between the spike and the floor, or use the supplied rubber feet. Fit the rubber feet and level the cabinet in the same manner as with the spike feet.



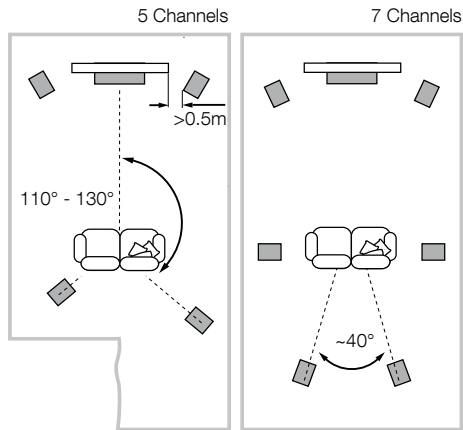
Speaker Positioning

Adjustment of speaker position following initial installation will probably further improve the sound quality and is usually worthwhile.

In either stereo or home theatre installations, try to ensure that the immediate surroundings of each speaker are similar in acoustic character. For example, if one speaker is adjacent to bare walls while the other is adjacent to soft furnishings and curtains, both the overall sound quality and the stereo image are likely to be compromised.

Conventional Stereo Systems

To begin with, the speakers should be positioned between 1.5m and 3m apart at two corners of an equilateral triangle completed by the listening area at the third corner. The speakers should be approximately 0.5m away from the back wall, and at least 0.5m away from any side walls (above).



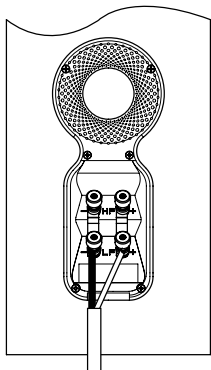
Home Theatre Systems

If the speakers are to be used for the front channels in a home theatre system, they should be placed closer together than for 2-channel audio, because the surround channels tend to widen the image. Positioning the speakers within approximately 0.5m of the sides of the screen will also help keep the sound image in scale with the visual image. As with conventional stereo positioning, the speakers should ideally be at least 0.5m away from any side walls. If you would prefer to place your speaker against the back wall and this location results in over emphasised bass, see the Fine Tuning section of this manual for information on using the foam plugs.

Stray magnetic fields

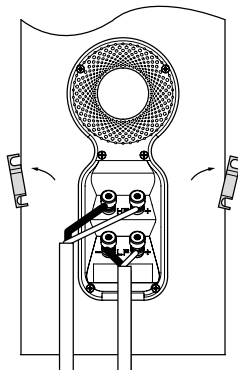
The speaker drive units create stray magnetic fields that extend beyond the boundaries of the cabinet. We recommend you keep magnetically sensitive articles (CRT television and computer screens, computer discs, audio and video tapes, swipe cards and the like) at least 0.5m from the speaker. LCD, OLED and plasma screens are not affected by magnetic fields.

3. Connections



All connections should be made with the audio equipment switched off.

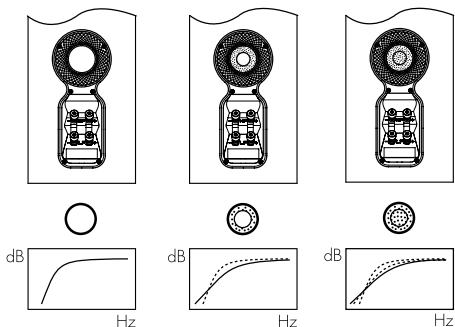
There are 2 linked pairs of terminals on the back of the speaker. For conventional connection (above left), the terminal links should remain in place (as delivered) and just one pair of terminals connected to the amplifier. For bi-wire connections or bi-amplification (above right), the terminal links should be removed and each pair of terminals connected to the amplifier or amplifiers independently. Bi-wiring can improve the resolution of low-level detail.



Ensure that the positive terminals on the speaker (marked + and coloured red) are connected to the positive output terminal on the amplifier and the negative terminals on the speaker (marked - and coloured black) are connected to the negative output terminal on the amplifier. Incorrect connection can result in poor imaging and loss of bass.

Ask your dealer for advice when selecting speaker cable.

4. Fine Tuning



Before fine tuning, make sure that all the connections in the installation are correct and secure.

Moving the speakers further from the walls will generally reduce the volume of bass. Space behind the speakers will also help to create an aural impression of depth. Conversely, moving the speakers closer to the walls will increase the volume of bass. If you want to reduce the volume of bass without moving the speakers further from the wall, fit the foam plugs or, for less severe bass reduction, the foam rings in the port tubes (above).

If the bass seems uneven with frequency this will most probably be a consequence of the acoustic properties of your listening room. Even small changes in the position of the speakers or listening position can have a significant effect on sonic performance, especially at low frequencies. Try moving your listening position or locating your speakers along a different wall if possible.

If no alternatives exist, you can adjust your loudspeakers' low-frequency performance using the supplied foam bungs. The bungs are a two-piece part, allowing for a degree of fine-tuning using either the outer, larger-diameter piece in isolation or the two parts together. Using solely the outer, larger-diameter foam bung will deliver less bass attenuation than the complete bung assembly.





5. Running In

The performance of the speaker will change subtly during the initial listening period. If the speaker has been stored in a cold environment, the damping compounds and suspension materials of the drive units will take some time to recover their correct mechanical properties. The drive unit suspensions will also loosen up during the first hours of use. The time taken for the speaker to achieve its intended performance will vary depending on previous storage conditions and how it is used. As a guide, allow up to a week for the temperature effects to stabilise and 15 hours of average use for the mechanical parts to attain their intended design characteristics.

6. Aftercare





The cabinet surfaces will usually only require dusting. If you wish to use an aerosol or other cleaner, apply the cleaner onto the cloth, not directly onto the product and test a small area first, as some cleaning products may damage some of the surfaces. Avoid products that are abrasive, or contain acid, alkali or antibacterial agents. Marks on the paint surface may be removed with a dilute perfume-free soap solution. Remove any remaining streak marks by spraying with a proprietary glass cleaner and lightly wiping dry with a microfibre cloth. Do not use cleaning agents on the drive units and avoid touching them as damage may result.

1. Déballage

	1
	4
	4
	1

Vérification du contenu du carton**Vérifiez que le carton contienne bien :**

- 1 tampon en mousse
- 1 carton d'accessoires contenant :
 - 4 pieds en caoutchouc
 - 4 pieds-pointes M6
 - 4 écrous de blocage (10 mm)
- 1 support de sol
- 1 carton d'accessoires contenant :
 - 1 clé Allen
 - 4 vis M6 x 35 mm
 - 4 rondelles pleines
 - 4 rondelles autobloquantes

	1
	4
	4
	4

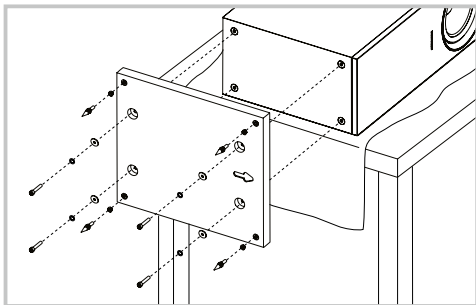
Information sur l'environnement

Ce produit est conforme avec les directives internationales, y compris mais sans se limiter à :

- i. la limitation des substances dangereuses (RoHS) dans les équipements électriques et électroniques,
- ii. l'enregistrement, l'évaluation, l'autorisation et la restriction des substances chimiques (REACH)
- iii. l'élimination des déchets électriques et électroniques (WEEE).

Consultez votre organisme local d'élimination des déchets pour des conseils sur la façon appropriée de recycler ou de jeter ce produit.

2. Positionnement



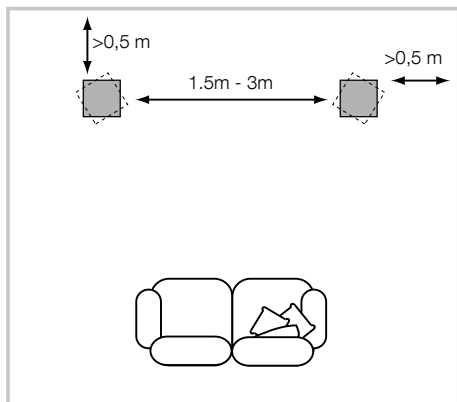
Installation des enceintes

Les enceintes sont uniquement prévues pour être directement posées au sol. Il est important de s'assurer qu'elles sont parfaitement équilibrées sur le sol, en utilisant les pointes de découplage fournies partout où cela est possible. De plus, fixez le support de sol (socle) pour une meilleure stabilité.

Vous pouvez fixer le socle pendant la phase de déballage, en suivant les indications situées sur la partie supérieure du carton. Sinon, vous pouvez fixer le socle une fois l'enceinte complètement déballée en prenant soin d'intercaler un tissu épais sur un support adéquat, comme par exemple une table. Couchez l'enceinte sur le côté en faisant légèrement déborder la base de l'enceinte de la table pour fixer le socle. Alignez le socle avec ses trous de fixation présents à la base du coffret de l'enceinte, en vous assurant que la flèche gravée sur le support pointe bien vers l'avant de l'enceinte. Fixez le socle en utilisant les rondelles et les vis fournies. Placez les rondelles autobloquantes entre les rondelles pleines et les vis. Serrez soigneusement chaque vis avec la clé Allen fournie.

Les pieds-pointes fournis sont conçus pour transpercer la moquette et prendre directement contact sur le sol en dur. Avant de les mettre en place, vissez les écrous en les laissant libres, de telle manière qu'ils affleurent la moquette une fois les pointes correctement mises en contact avec le sol en dur. Vissez complètement les pointes dans les inserts filetés du support de sol. Si l'enceinte n'est pas totalement stable sur le sol, dévissez une ou plusieurs pointes jusqu'à ce que l'enceinte soit parfaitement équilibrée sur le sol. Une fois cela assuré, vissez complètement chaque écrou de blocage vers la base de l'enceinte. Il est conseillé de garantir l'équilibrage parfait de chaque enceinte seulement après avoir précisément déterminé sa position dans la pièce d'écoute.

S'il n'y a pas de tapis/moquette et que vous voulez éviter d'abîmer la surface du sol, insérez entre la pointe et le sol une rondelle de métal pour le protéger (une pièce de monnaie par exemple) ou servez-vous des pieds caoutchouc fournis. Fixez les pieds caoutchouc et ajustez-les de la même façon que les pointes.



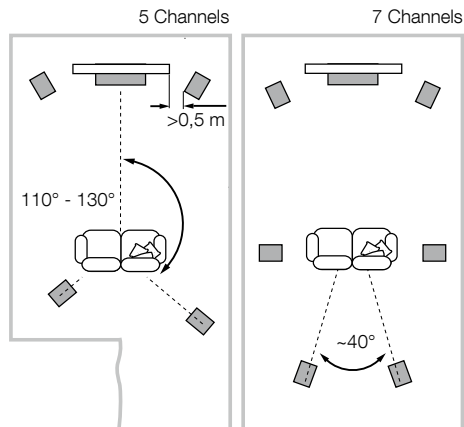
Choix de la position

Le réglage de la position des enceintes au moment de leur installation est susceptible d'améliorer grandement les résultats sonores, et constitue donc une première étape essentielle.

Qu'il s'agisse d'une installation stéréophonique ou multicanal Home Cinema, faites en sorte que l'environnement acoustique de chaque enceinte soit le plus identique possible dans son caractère sonore. Par exemple, si une des enceintes est placée près d'un mur lisse et nu, tandis que l'autre se trouve proche d'épais tissus et tapis, la qualité et l'équilibre stéréophonique finaux risquent fort d'être compromis.

Systèmes stéréophoniques conventionnels

Comme base de départ, placer les deux enceintes éloignées entre 1,5 et 3 mètres l'une de l'autre, formant ainsi les deux angles d'un triangle équilatéral dont le troisième angle sera la position d'écoute privilégiée. Les enceintes seront également éloignées d'environ 50 centimètres du mur arrière et des murs latéraux (ci-dessus).



Systèmes Home Cinema

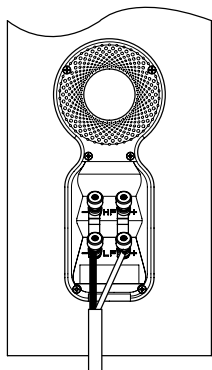
Si les enceintes sont utilisées en tant qu'enceintes frontales d'un système Home Cinema, elles doivent être plus rapprochées l'une de l'autre que dans le cas d'une installation stéréophonique traditionnelle, car les enceintes Surround arrière ont tendance à agrandir l'image sonore générale. Positionnez les deux enceintes à environ 50 centimètres de chaque côté de l'écran, afin de conserver une image sonore en rapport avec l'image vidéo.

Comme pour un système audio stéréo traditionnel, les enceintes devront idéalement être éloignées d'au moins 50 centimètres des murs adjacents. Si les enceintes doivent être plaquées contre le mur arrière, pour des raisons pratiques, il peut en résulter une augmentation artificielle du niveau de grave : voir à ce sujet le paragraphe Ajustements plus loin dans ce manuel pour l'utilisation optimale des tampons de mousse fournis.

Champs magnétiques

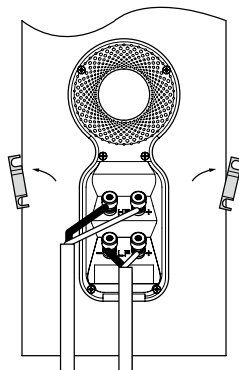
Les haut-parleurs à l'intérieur de l'enceinte génèrent des champs magnétiques qui peuvent s'étendre au-delà du coffret de l'enceinte. Nous vous recommandons donc de tenir éloignés d'au moins 50 centimètres des enceintes les appareils sensibles à ces champs magnétiques (télévisions et moniteurs informatiques à tube cathodique CRT, cassettes et bandes magnétiques audio et vidéo, cartes magnétiques, etc.). Les écrans LCD, OLED et plasma ne sont pas affectés par les champs magnétiques.

3. Connexions



Tous les branchements doivent être effectués les appareils étant tous éteints.

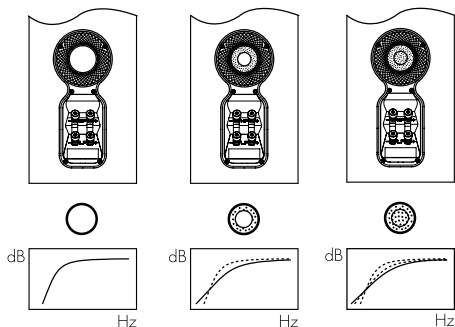
Il y a deux paires de prises réunies entre elles à l'arrière de chaque enceinte. Pour les branchements classiques (ci-dessus à gauche), les connexions reliant les prises (comme installé à la livraison) doivent impérativement rester en place, une seule paire de prises étant alors reliée à l'amplificateur. En cas de bi-câblage ou de bi-amplification (ci-dessus à droite), les liens seront retirés, et chaque paire de prises sera alors reliée à l'amplificateur ou aux amplificateurs de manière indépendante. Ce principe de bi-câblage permet d'améliorer la résolution et la qualité des plus fins détails.



Branchez la prise « positif » de l'enceinte (prise de couleur rouge, avec le repère « + ») sur la prise de sortie enceinte « positif » de l'amplificateur, et branchez la prise « négatif » (prise de couleur noire, avec le repère « - ») sur la prise « négatif » de l'amplificateur. Le non-respect de cette polarité plus/moins entraîne une image stéréophonique dégradée et une perte dans le grave.

Demandez conseil à votre revendeur pour le choix du câble utilisé.

4. Ajustements



Avant de procéder à ces réglages, vérifiez que tous les branchements sont correctement effectués, dans toute l'installation, et fermement sécurisés.

Décaler les enceintes par rapport aux murs de la pièce a généralement pour effet de réduire le niveau général du grave. Un espace suffisant derrière les enceintes acoustiques permet également d'améliorer la sensation de profondeur de la reproduction sonore. Inversement, un rapprochement des enceintes par rapport aux cloisons de la pièce entraîne une augmentation du niveau du grave.

Si le niveau de grave vous paraît trop élevé à certaines fréquences, cela est généralement dû à des modes de résonances parasites dans la pièce d'écoute. Une modification, même légère, de la position des enceintes dans la pièce ou de la position d'écoute peut avoir pour effet des améliorations très sensibles, particulièrement pour le rendu du grave. Essayez de changer votre position d'écoute ou de placer les enceintes le long d'un autre mur de la pièce si cela est possible.

Si n'y a pas d'alternative, vous pouvez ajuster le rendu des enceintes dans le grave en insérant les tampons de mousse fournis dans les événements de décompression. Les tampons sont composés de deux parties, offrant ainsi une certaine latitude d'ajustement. Vous pouvez en effet utiliser soit juste la partie extérieure, soit les deux. En utilisant juste le tampon extérieur, vous obtiendrez une moindre réduction des graves que si vous insérez la totalité du tampon.





5. Rodage

Les performances d'une enceinte acoustique se modifient subtilement pendant une période de rodage initiale. Si l'enceinte a été stockée dans un environnement de faible température, ses composants amortissants et les suspensions des haut-parleurs vont demander un peu de temps avant de retrouver leurs qualités mécaniques optimales. De plus, ces suspensions vont également se « libérer » pendant les premières heures d'utilisation. Ce temps de rodage est variable, suivant la température de stockage et la manière dont vous utilisez les enceintes. En moyenne, comptez un week-end pour que les effets de la température se stabilisent, et une quinzaine d'heures d'utilisation normale pour que tous les composants mécaniques atteignent le fonctionnement parfait correspondant à leur conception mécanique.

6. Entretien





La surface du coffret ne nécessitera dans la plupart des cas qu'un simple dépoussiérage. Si vous souhaitez utiliser un produit en aérosol, ou tout autre produit nettoyant, vaporisez le produit sur le tissu et pas directement sur la surface du coffret, et faites d'abord un test sur une petite surface car certains produits peuvent s'avérer néfastes. Éviter les produits abrasifs, ou ceux qui contiennent de l'acide, de l'ammoniaque ou des agents antibactériens. Les traces sur les surfaces peintes peuvent être ôtées avec de l'eau et du savon dilué sans parfum. Enlever les éventuelles marques résistantes en pulvérisant un produit de nettoyage industriel pour vitres, que vous essuiez complètement à l'aide d'un chiffon sec en microfibres. Ne pas employer de produits nettoyants sur les haut-parleurs et évitez dans tous les cas d'y toucher pour ne pas les endommager.

1. Auspacken

	1
	4
	4
	1

Kartoninhalt**Im Karton liegen:**

- 1 Schaumstoffeinsatz
- 1 Zubehörpaket mit:
 - 4 Gummifüßen
 - 4 M6-Spikes
 - 4 Sicherungsmuttern (Schlüsselweite 10 mm)
- 1 Socket
- 1 Zubehörpaket mit:
 - 1 Innensechskantschlüssel
 - 4 Schrauben M6 x 35 mm
 - 4 Unterlegscheiben
 - 4 rüttelfesten Unterlegscheiben

	1
	4
	4
	4

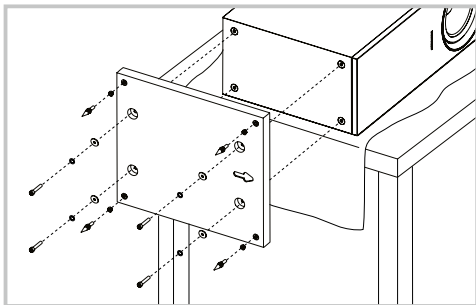
Umweltinformation

Dieses Produkt entspricht internationalen Richtlinien. Dazu gehören unter anderem:

- i. die Beschränkung der Verwendung bestimmter gefährlicher Stoffe in Elektro- und Elektronikgeräten (**R**estriction **o**f **H**azardous **S**ubstances (kurz RoHS genannt))
- ii. die Registrierung, Bewertung, Zulassung und Beschränkung chemischer Stoffe (**R**egistration, **E**valuation, **A**uthorisation and Restriction of **C**hemicals, kurz REACH)
- iii. die Entsorgung von Elektro- und Elektronik-Altgeräten (**W**aste **E**lectrical and **E**lectronic **E**quipment (WEEE)).

Setzen Sie sich hinsichtlich des Recyclens bzw. der Entsorgung dieses Produktes mit der örtlichen Abfallentsorgung in Verbindung.

2. Positionierung



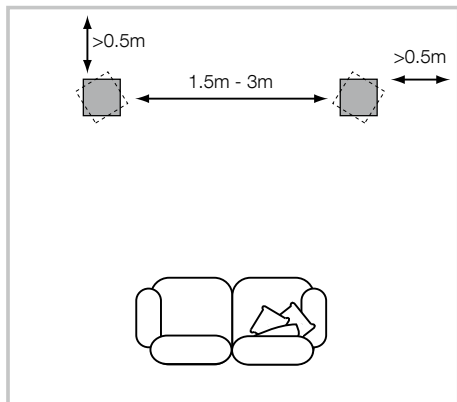
Aufstellen der Lautsprecher

Die Lautsprecher sind als Standversion konzipiert. Es ist wichtig, dass sie fest auf dem Boden stehen. Verwenden Sie daher, wann immer möglich, die beiliegenden Spikes. Befestigen Sie zusätzlich den Sockel, um eine optimale Stabilität zu gewährleisten.

Sie können den Sockel während des Auspackens anbringen (siehe Abbildungen auf der oberen Verschlussklappe des Kartons). Alternativ können Sie dies auch nach dem Auspacken machen. Suchen Sie sich dazu eine geeignete Auflagefläche wie beispielsweise einen Tisch und decken Sie diese mit einem Tuch ab. Legen Sie den Lautsprecher auf die Seite, so dass die Unterseite des Lautsprechergehäuses vorne an der Auflagefläche vorsteht. Richten Sie den Sockel den Befestigungslöchern an der Gehäuseunterseite entsprechend aus. Stellen Sie dabei sicher, dass der Pfeil an der Sockelunterseite nach vorne zeigt. Befestigen Sie den Sockel mit den beiliegenden Schrauben und Unterlegscheiben. Setzen Sie die rüftelfesten Unterlegscheiben zwischen die Unterlegscheiben und die Schraubenköpfe. Ziehen Sie die Schrauben mit dem beiliegenden Innensechskantschlüssel fest.

Die Spikes sind so ausgelegt, dass sie durch einen Teppich hindurchgehen und auf der Bodenoberfläche aufliegen. Drehen Sie zunächst die Sicherungsmuttern so auf die Spikes, dass sie sich über dem Teppich befinden, wenn die Spikes auf dem Boden darunter aufliegen. Drehen Sie die Spikes vollständig in die Gewindebohrungen des Sockels. Sollte das Gehäuse wackeln, wenn es auf den Boden gestellt wird, so lösen Sie die beiden nicht aufliegenden Spikes, bis der Lautsprecher fest auf dem Boden steht. Ziehen Sie nun die Sicherungsmuttern gegen das Gehäuse fest. Es ist sinnvoll, die Spikes erst dann anzubringen und einzustellen, wenn Sie die optimale Position für den Lautsprecher gefunden haben.

Liegt kein Teppich und möchten Sie ein Zerkratzen der Bodenoberfläche vermeiden, legen Sie entweder jeweils eine Schutzscheibe (vielleicht eine Münze) unter die Spikes oder verwenden die beiliegenden GummifüÙe.



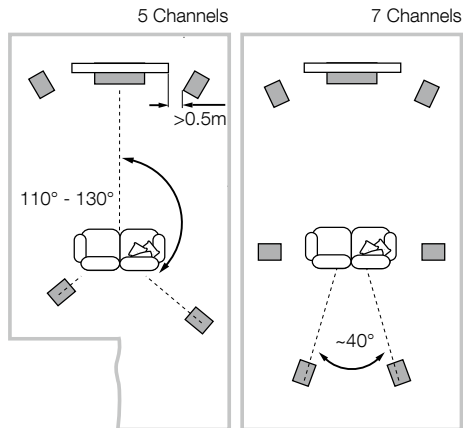
Positionierung der Lautsprecher

Eine weitere Optimierung der Lautsprecherposition macht in der Regel Sinn, da sie zu einer Verbesserung der Klangqualität führen kann.

Versuchen Sie sowohl bei Stereo- als auch bei Heimkino-Installationen sicherzustellen, dass die direkte Umgebung in puncto Akustik für alle Lautsprecher ähnlich ist. Befindet sich beispielsweise ein Lautsprecher in der Nähe einer nackten Wand, während der andere Lautsprecher von weichen Einrichtungsgegenständen und Vorhängen umgeben ist, so leiden darunter die Klangqualität und das Stereoklangbild.

Herkömmliche Stereosysteme

Zunächst sind die Lautsprecher in einem Abstand von 1,5 bis 3 m in zwei Ecken eines gleichseitigen Dreiecks zu platzieren, das an der dritten Ecke durch den Hörbereich vervollständigt wird. Der Abstand zur Rückwand sollte ca. 0,5 m, der Abstand zu den Seitenwänden mindestens 0,5 m betragen (siehe oben).



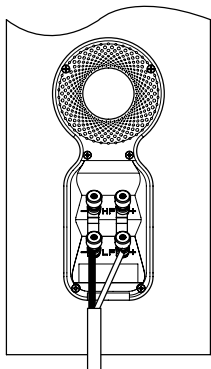
Heimkinosysteme

Werden die Lautsprecher für die Frontkanäle eines Heimkinosystems genutzt, so sollten die Lautsprecher näher zusammengestellt werden als bei 2-Kanal-Audiosystemen, da die Surroundkanäle zu einer Erweiterung des Klangbildes führen. Eine Positionierung der Lautsprecher innerhalb von ungefähr 0,5 m zu den Seiten des Bildschirms ist darüber hinaus sehr hilfreich, um das Klangbild optimal an das visuelle Bild anzupassen. Wie bei der Positionierung in konventionellen Stereosystemen sollten die Lautsprecher einen Abstand von mindestens 0,5 m zu den Seitenwänden haben. Möchten Sie Ihren Lautsprecher an der Rückwand platzieren und ist der Bassanteil dadurch zu dominant, so erhalten Sie im Kapitel Feinabstimmung Informationen zum Einsatz der Schaumstoffeinsätze.

Magnetische Streufelder

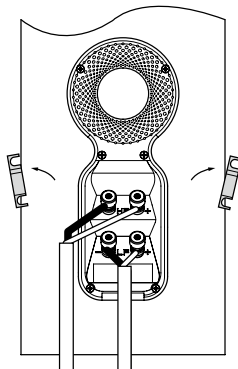
Die Lautsprecherchassis erzeugen ein magnetisches Streufeld, das über die Gehäusegrenzen hinaus reicht. Daher empfehlen wir, einen Mindestabstand von 0,5 m zwischen magnetisch empfindlichen Artikeln (CRT-Fernsehgeräten, Computerbildschirmen, Discs, Audio- und Videobändern, Scheckkarten usw.) und Lautsprecher zu bewahren. Magnetische Streufelder haben keinen Einfluss auf LCD-, OLED- und Plasma-Bildschirme.

3. Anschließen der Lautsprecher



Schalten Sie alle Gerät während des Anschließens ab.

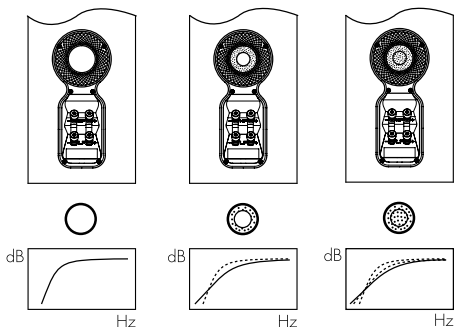
An der Lautsprecherrückseite sind jeweils zwei Anschlussklemmen über Brücken miteinander verbunden. Im konventionellen Betrieb (siehe oben links) bleiben die Brücken (wie bei der Lieferung) in ihrer Position und nur ein Anschlussklemmenpaar wird an den Verstärker angeschlossen. Sollen die Lautsprecher im Bi-Wiring-Verfahren betrieben werden (siehe oben rechts), müssen zunächst die Brücken entfernt werden. Hierbei werden alle vier Anschlussklemmen mit dem Verstärker verbunden. Bi-Wiring kann die Detailtreue im Tieftonbereich verbessern.



Stellen Sie sicher, dass die positiven (roten und mit + gekennzeichneten) Anschlussklemmen am Lautsprecher mit dem positiven Ausgang am Verstärker und die negativen (schwarzen und mit - gekennzeichneten) Anschlussklemmen mit dem negativen Ausgang am Verstärker verbunden werden. Ein nicht korrektes Anschließen der Kabel kann zu einer Verschlechterung des Klangbildes und zu Bassverlusten führen.

Lassen Sie sich bei der Auswahl der Lautsprecherkabel von Ihrem autorisierten Fachhändler beraten.

4. Feinabstimmung



Vergewissern Sie sich vor der Feinabstimmung Ihres Systems noch einmal, dass alle Verbindungen richtig hergestellt wurden und alle Kabel ordnungsgemäß angeschlossen sind.

Ein größerer Abstand zwischen Lautsprechern und Wänden führt zu einer Reduzierung des Bassniveaus. Der Raum hinter den Lautsprechern schafft auch einen Eindruck der Tiefe. Umgekehrt wird das Bassniveau erhöht, wenn die Lautsprecher näher an die Wände gestellt werden. Möchten Sie das Bassniveau reduzieren, ohne den Abstand zwischen Lautsprechern und Wand zu vergrößern, setzen Sie die Schaumstoffeinsätze in die Bassreflexöffnungen ein (siehe oben).

Steht das Bassniveau nicht im Einklang mit der Frequenz, so ist dies auf starke Resonanzen im Raum zurückzuführen. Selbst kleinste Änderungen bei der Lautsprecherpositionierung bzw. in der Hörposition können, besonders bei tiefen Frequenzen, eine erhebliche Wirkung auf die wahrgenommene Klangqualität haben. Versuchen Sie also, Ihre Hörposition zu verändern oder Ihre Lautsprecher an eine andere Wand zu stellen.

Haben Sie diese Möglichkeiten nicht, so können Sie auch die beiliegenden Schaumstoffeinsätze nutzen. Sie bestehen aus zwei Teilen, so dass Sie entweder nur den Teil des Einsatzes mit dem größeren Durchmesser oder aber beide Teile zusammen nutzen können. Bei Nutzung des kompletten Schaumstoffeinsatzes ist die Reduzierung des Bassniveaus größer als wenn Sie nur den Teil des Einsatzes mit dem größeren Durchmesser verwenden.


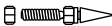

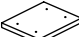
5. Einlaufphase

In der Einlaufphase gibt es feine Unterschiede in der Wiedergabequalität des Lautsprechers. Wurde er in einer kühlen Umgebung gelagert, so wird es einige Zeit dauern, bis die Dämpfungskomponenten und die für die Aufhängung der Chassis eingesetzten Werkstoffe ihre optimalen mechanischen Eigenschaften besitzen. Die Aufhängung der Chassis wird mit den ersten Betriebsstunden beweglicher. Die Zeit, die der Lautsprecher benötigt, um seine maximale Leistungsfähigkeit zu entwickeln, schwankt abhängig von den vorherigen Lager- und Einsatzbedingungen. Grundsätzlich kann man sagen, dass es eine Woche dauert, bis sich die Lautsprecher nach Temperatureinwirkungen stabilisiert haben. 15 Betriebsstunden sind erforderlich, bis die mechanischen Teile ihre Funktion, wie bei der Konstruktion festgelegt, erfüllen können.

6. Pflege

Die Gehäuseoberfläche muss in der Regel nur abgestaubt werden. Bei Verwendung eines Aerosol- oder sonstigen Reinigers sprühen Sie den Reiniger auf ein Tuch, niemals direkt auf das Gehäuse. Testen Sie zuerst an einer kleinen, unauffälligen Stelle, da einige Reinigungsprodukte manche Oberflächen beschädigen können. Verwenden Sie keine scharfen bzw. säure- oder alkalihaltigen oder antibakteriellen Produkte. Kleine Punkte auf der lackierten Oberfläche können mit einer verdünnten, parfümfreien Seifenlösung entfernt werden. Streifen können mit einem Glasreiniger oder durch vorsichtiges Abwischen mit einem trockenen Mikrofasertuch beseitigt werden. Verwenden Sie für die Chassis keine Reinigungsmittel. Vermeiden Sie es, die Lautsprecherchassis zu berühren, da dies zu Beschädigungen führen kann.





1. Desembalaje

	1
	4
	4
	1

Contenido del Embalaje

Compruebe que en el embalaje figuren los siguientes elementos:

- 1 tapón de espuma
- 1 paquete de accesorios que contiene:
 - 4 pies de goma
 - 4 puntas metálicas de desacoplo M6
 - 4 tuercas de fijación (con arandelas planas de 10 mm)
- 1 base (plinto)
- 1 paquete de accesorios que contiene:
 - 1 llave Allen
 - 4 tornillos M6 de 35 mm
 - 4 arandelas planas
 - 4 arandelas antisacudidas

	1
	4
	4
	4

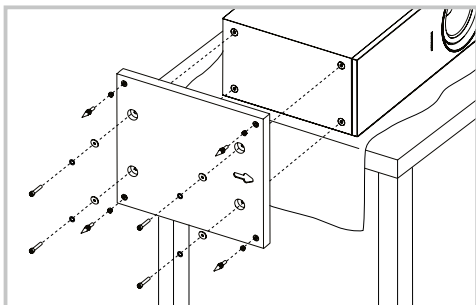
Información Relativa a la Protección del Medio Ambiente

Este producto satisface varias directivas internacionales relacionadas con la protección del medio ambiente. Entre ellas se incluyen –aunque no son las únicas– las siguientes:

- i. la de Restricción del Uso de Sustancias Peligrosas (RHoS) en equipos eléctricos y electrónicos.
- ii. la de Registro, Evaluación, Autorización y Restricción del Uso de Componentes Químicos (REACH).
- iii. la de Eliminación de Residuos Procedentes de Componentes Eléctricos y Electrónicos (WEEE).

Contacte con sus autoridades locales en materia de gestión de residuos para que le orienten sobre cómo desechar este producto adecuadamente.

2. Ubicación



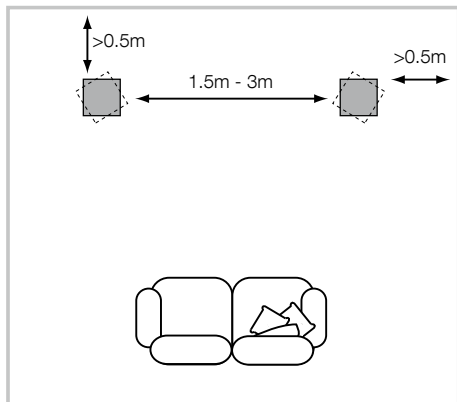
Instalación de las Cajas Acústicas

Estas cajas acústicas han sido pensadas para ser instaladas única y exclusivamente sobre el suelo. Por lo tanto, es importante asegurar que descansen firmemente sobre el suelo de la sala en la que vayan a ser instaladas utilizando –siempre que ello sea posible– las puntas de desacoplo suministradas de serie. Asimismo, coloque la base (plinto) de tal modo que la estabilidad del conjunto sea máxima.

Si lo desea, puede colocar la base (plinto) durante el proceso de desembalaje siguiendo los dibujos que figuran en la aleta superior de la caja de cartón. De modo alternativo, puede colocarla una vez que el producto haya sido completamente desembalado recubriendo previamente una superficie adecuada, como por ejemplo una mesa, con una gamuza, una sábana o una toalla, con la caja acústica descansando sobre uno de sus paneles laterales de tal modo que la parte inferior de la misma sobresalga de la mesa para facilitar la operación de montaje. Alinee el plinto con los pertinentes orificios de fijación asegurándose de que la flecha que figura en su parte inferior apunte hacia fuera. Asegure el plinto con ayuda de los tornillos y las arandelas suministrados de serie. Coloque las arandelas antivibración entre las arandelas planas y las tuercas de fijación. Fije los tornillos con la llave Allen suministrada de serie.

Las puntas de desacoplo están diseñadas para que perforen la alfombra y descansen sobre la superficie del suelo. Inicialmente, coloque las tuercas de fijación en las puntas dejando que las primeras “floten” ligeramente por encima de la alfombra cuando las segundas descansen sobre el suelo. A continuación, fije por completo las puntas en los orificios dispuestos para ello en el plinto (base). Si el recinto se mueve cuando esté en su posición definitiva, afloje las dos puntas que no toquen el suelo hasta que aquél descance firmemente sin moverse. Finalmente, fije sólidamente las tuercas contra el recinto. Es posible que resulte más cómodo colocar y ajustar las puntas una vez optimizada la posición de la caja acústica.

En caso de que no haya ninguna alfombra y usted desee impedir que se raye la superficie del suelo, utilice o bien un disco protector metálico (una moneda también podría servir) entre la punta y el suelo o bien los tacos de goma suministrados por el fabricante. Coloque los tacos de goma y nivele el recinto del mismo modo que con las puntas de desacoplo.



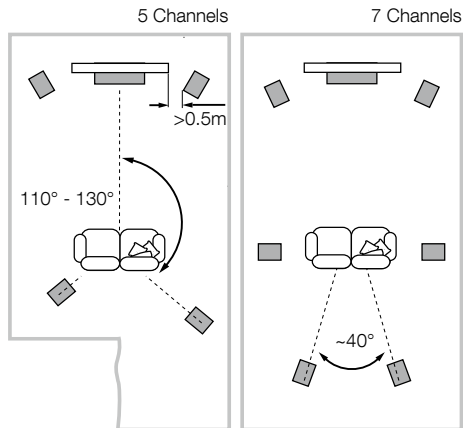
Colocación de la Caja Acústica

Es muy probable que el ajuste de la posición de la caja acústica una vez llevada a cabo la instalación inicial de la misma mejore la calidad sonora, por lo que por regla general resulta muy recomendable.

Tanto en instalaciones estereofónicas como de Cine en Casa, intente asegurarse de que las zonas que rodean inmediatamente a cada caja acústica sean similares desde el punto de vista acústico. Por ejemplo, si una caja acústica está junto a una pared desnuda mientras que la otra está cerca de mobiliario y cortinas blandos, es más que probable que tanto la calidad sonora global como la imagen estereofónica queden seriamente comprometidas.

Sistemas Estereofónicos Convencionales

Para empezar, las cajas acústicas deberían colocarse, separadas entre sí de 1'5 a 3 metros, en los dos vértices de un triángulo equilátero cuyo tercer vértice esté situado en el punto de escucha. Las cajas deberían separarse aproximadamente 0'5 metros de la pared posterior y al menos 0'5 metros de cualquier pared lateral (ver dibujo superior).



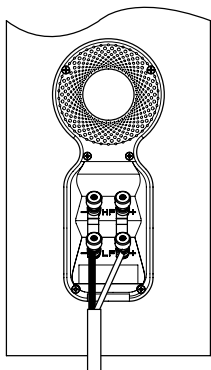
Sistemas de Cine en Casa

Si las cajas acústicas van a ser utilizadas para los canales frontales (principales) de un sistema de Cine en Casa, deberían estar más cerca entre sí que en un equipo de audio de 2 canales porque los canales de sonido envolvente tienden a ensanchar la imagen sonora. La colocación de las cajas acústicas a unos 0'5 metros de distancia de cada lado de la pantalla de visualización también ayudará a que la imagen del sonido envolvente esté proporcionada con respecto a la imagen visual. Al igual que sucede con el posicionamiento en sistemas estereofónicos convencionales, idealmente las cajas acústicas deberían estar separadas un mínimo de 0'5 metros de cualquier pared lateral. Si prefiere colocar las cajas acústicas contra la pared posterior y esta ubicación provoca un realce excesivo de los graves, dirijase a la sección Ajuste Fino del presente manual para obtener información sobre cómo utilizar los tapones de espuma suministrados de serie para corregir esta situación.

Campos Magnéticos Parásitos

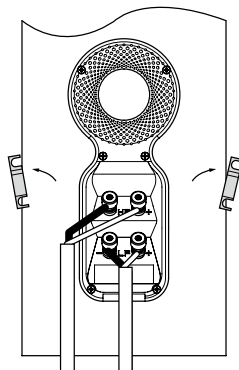
Los altavoces de las cajas acústicas crean campos magnéticos parásitos que se extienden más allá de las fronteras físicas del recinto. Es por ello que le recomendamos que aleje todos aquellos objetos magnéticamente sensibles (pantallas de televisor y ordenador basadas en tubos de rayos catódicos, discos de ordenador, cintas de audio y vídeo, tarjetas con banda magnética y cosas por el estilo) al menos 0'5 metros de la caja acústica. Las pantallas de plasma, LCD y OLED no son afectadas por los campos magnéticos.

3. Conexiones



Todas las conexiones deberían realizarse con el equipo desconectado.

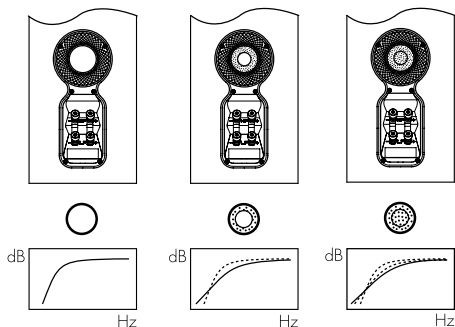
En la parte posterior de la caja acústica hay dos pares de terminales de conexión unidos entre sí con sendos puentes. Para realizar una conexión convencional (arriba, izquierda) dichos puentes deberían permanecer en su lugar (situación original, es decir de fábrica) y por tanto solamente deberían conectarse un par de terminales al amplificador. Para la conexión en bicableado o biamplicación (arriba, derecha) los puentes deberían retirarse para poder conectar por separado cada par de terminales al amplificador o amplificadores empleados. El bicableado puede mejorar la resolución de los detalles de baja frecuencia.



Asegúrese de que los terminales positivos de la caja acústica (marcados como + y de color rojo) son conectados al terminal de salida positivo del amplificador y que los terminales negativos de la caja acústica (marcados como - y de color negro) son conectados al terminal de salida negativo del amplificador. Una conexión incorrecta podría tener como resultado una imagen sonora pobre y una pérdida de graves.

Consulte a su detallista para que le aconseje a la hora de elegir el cable de conexión.

4. Ajuste Fino



Antes de proceder al ajuste fino, verifique cuidadosamente que todas las conexiones de la instalación sean correctas y seguras.

Cada vez que aumente la separación entre las cajas acústicas y las paredes de la sala se reducirá el nivel general de graves. El espacio situado detrás de las cajas también contribuye a crear una sensación aurál de profundidad. Por el contrario, si acerca las cajas acústicas a las paredes el nivel de graves aumentará. Si desea reducir el nivel de graves sin separar más las cajas acústicas de la pared, coloque los tapones de espuma en los puertos bass-reflex. Si desea que la reducción de graves sea menos severa, coloque los anillos de espuma en los puertos bass-reflex (dibujo superior).

Si la respuesta en graves parece poco uniforme con la frecuencia, lo más probable es que ello se deba a las propiedades acústicas de su sala de escucha. Incluso pequeños cambios en la posición de las cajas acústicas o del punto de escucha pueden tener un efecto significativo en las prestaciones sonoras, especialmente las frecuencias más bajas. Si es posible, intente desplazar su posición de escucha o ubicar las cajas acústicas a lo largo de una pared diferente.

Si no se dispone de alternativas, puede afinar la respuesta en graves de sus cajas acústicas utilizando los tapones de espuma suministrados de serie con las mismas. Dichos tapones se componen de dos piezas, lo que da un cierto margen de ajuste al poderse utilizar bien la pieza externa de mayor diámetro, bien las dos piezas juntas. Si sólo se utiliza la pieza de espuma externa, es decir la de mayor diámetro, se conseguirá menos atenuación de graves que si se usa el conjunto de tapones al completo.





5. Período de Rodaje

Las prestaciones de la caja acústica cambiarán de manera sutil durante el período de escucha inicial. Si la caja ha estado almacenada en un ambiente frío, tanto los materiales absorbentes y de amortiguamiento acústico como los que forman parte de los sistemas de suspensión de los diferentes altavoces tardarán cierto tiempo en recuperar sus propiedades mecánicas correctas. Las suspensiones de los altavoces también se relajarán durante las primeras horas de uso. El tiempo que la caja acústica necesite para alcanzar las prestaciones para las que fue diseñada variará en función de las condiciones de almacenamiento previas de la misma y de cómo se utilice. A modo de guía, deje transcurrir una semana para la estabilización térmica de la caja y unas 15 horas de uso en condiciones normales para que las partes mecánicas de la misma alcancen las características de funcionamiento para las que fueron diseñadas.

6. Cuidado y Mantenimiento





Por regla general, la superficie del recinto sólo requiere que se le quite el polvo. Si desea utilizar un limpiador de tipo aerosol o de otra clase, aplíquelo sobre la gamuza limpiadora, nunca directamente sobre el recinto, y realice antes una prueba con una superficie pequeña puesto que determinados productos de limpieza pueden dañar algunas de las superficies. Evite utilizar productos abrasivos o que contengan ácido, álcalis o agentes antibacterianos. Las marcas en la superficie pintada de tacto suave pueden eliminarse con una solución diluida de jabón neutro. Limpie cualquier pequeña ralladura o marca veteada rociándola con un aerosol limpiacristales específico para ello y secando suavemente con una gamuza de microfibras. No aplique productos de limpieza a los altavoces y evite tocar estos últimos ya que podría dañarlos.

1. Desempacotamento

	1
	4
	4
	1

Conteúdos da caixa**Verifique se a caixa contém:**

- 1 cilindro de espuma
- 1 conjunto de acessórios que contém:
 - 4 bases de borracha
 - 4 bases de tachas M6
 - 4 contraporcas (10 mm de face a face)
- 1 base
- 1 conjunto de acessórios que contém:
 - 1 chave Allen
 - 4 parafusos M6 x 35 mm
 - 4 anilhas planas
 - 4 anilhas resistentes à vibração

	1
	4
	4
	4

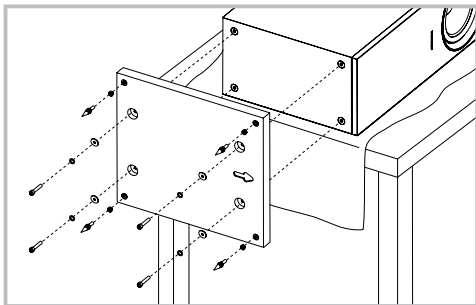
Informação ambiental

Este produto está em conformidade com as directivas internacionais, incluindo mas não se limitando a:

- i. Directiva relativa à restrição do uso de determinadas substâncias perigosas (RoHS - **R**estriction of **H**azardous **S**ubstances) em equipamentos eléctricos e electrónicos;
- ii. Regulamento relativo ao registo, avaliação, autorização e restrição de substâncias químicas (REACH - **R**egistration, **E**valuation, **A**uthorisation and restriction of **C**hemicals);
- iii. Directiva relativa aos Resíduos de Equipamentos Electrónicos e Eléctricos (REEE).

Consulte uma entidade local de recolha de lixo para obter informação sobre como reciclar ou eliminar este produto de forma correcta.

2. Posicionamento



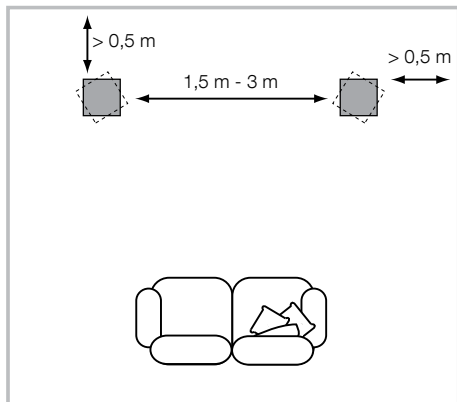
Instalação das colunas

As colunas foram projectadas para serem instaladas apenas no chão. É importante garantir que as colunas estão bem apoiadas no chão, utilizando, sempre que possível, as bases das tachas fornecidas. Para além disso, aplique a base, de modo a alcançar uma estabilidade adequada.

Poderá fixar a base durante o processo de desempacotamento, seguindo os diagramas presentes na aba superior da caixa. Em alternativa, poderá fixá-la depois de ter desempacotado completamente o produto, cobrindo um suporte adequado, como uma mesa, por exemplo, com um pano e colocando as colunas de lado, com a base da caixa das colunas suspensa sobre o suporte. Alinhe a base com os respectivos orifícios de fixação situados na parte inferior da caixa das colunas e certifique-se de que a seta existente na parte inferior da base se encontra apontada para a frente. Fixe a base com os parafusos e as anilhas fornecidos. Aplique as anilhas resistentes à vibração entre as anilhas planas e as cabeças dos parafusos. Aperte os parafusos com a chave Allen fornecida.

As bases das tachas foram concebidas para fixar tapetes, ficando apoiadas na superfície do solo. Comece por apertar as contraporcas nas tachas, de forma a que fiquem suspensas imediatamente acima do tapete com as tachas apoiadas no chão, sob as contraporcas. Aperte completamente as tachas nos encaixes roscados da base. Se a caixa das colunas oscilar quando estiver colocada no chão, desaperte as duas tachas que não estão em contacto com o chão, até que a caixa esteja firmemente apoiada e não oscile. Para concluir, bloqueie novamente as porcas na caixa. Poderá ser mais conveniente aplicar e ajustar as bases das tachas depois de alcançar um posicionamento ideal das colunas.

Se não existir um tapete e pretender evitar arranhar a superfície do solo, utilize um disco de protecção de metal (uma moeda, por exemplo) entre a tacha e o chão, ou a base de borracha fornecida. Instale a base de borracha e nivele a caixa das colunas da mesma forma que fez com as bases das tachas.



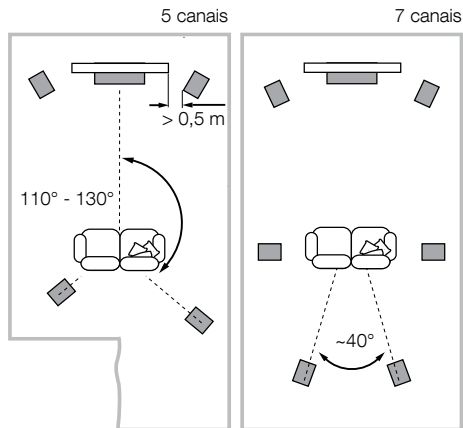
Posicionamento das colunas

É provável que o ajuste da posição das colunas depois da instalação inicial melhore ainda mais a qualidade de som e, normalmente, vale a pena.

Seja em instalações de sistemas estéreo ou em instalações de cinema em casa, assegure-se de que o espaço envolvente de cada coluna tem características acústicas semelhantes. Por exemplo, se uma coluna estiver próxima de uma parede e a outra estiver perto de cortinados ou de mobiliário com revestimento macio, a qualidade geral do som e a imagem de sistemas estéreo ficarão comprometidas.

Sistemas estéreo convencionais

Para começar, as colunas devem ser posicionadas a uma distância de 1,5 m a 3 m uma da outra, em dois cantos de um triângulo equilátero que fica completo com a posição de audição, correspondendo esta ao terceiro canto. As colunas devem estar afastadas da parede traseira em cerca de 0,5 m e, pelo menos, a uma distância de 0,5 m das paredes laterais (ver acima).



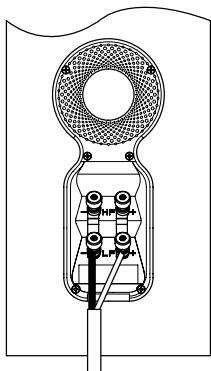
Sistemas de cinema em casa

Se as colunas forem utilizadas para os canais frontais de um sistema de cinema em casa, devem ficar mais próximas uma da outra do que se forem utilizadas para sistemas de áudio de dois canais, já que os canais surround tendem a alargar a imagem. Posicionar as colunas a aproximadamente 0,5 m da parte lateral do ecrã também contribui para manter a imagem acústica equilibrada com a imagem visual. Tal como acontece no posicionamento em sistemas estéreo convencionais, as colunas devem estar a uma distância de, pelo menos, 0,5 m das paredes laterais. Caso prefira colocar as colunas junto à parede de trás e se isso resultar numa ênfase excessiva dos sons graves, consulte a secção "Ajustes" deste manual para saber como utilizar os cilindros de esponja.

Fluxos de campos magnéticos

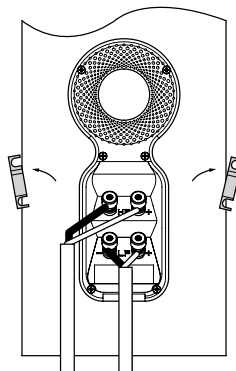
Os diafragmas das colunas criam fluxos de campos magnéticos que se propagam para além dos limites da caixa das colunas. Recomendamos que mantenha objectos sensíveis a campos magnéticos (televisores CRT, monitores de computador, discos de computador, cassetes de áudio ou vídeo, cartões de banda magnética e outros semelhantes) a uma distância de, pelo menos, 0,5 m das colunas. Os ecrãs LCD, OLED e plasma não são afectados por campos magnéticos.

3. Ligações



Todas as ligações devem ser estabelecidas com o equipamento áudio desligado.

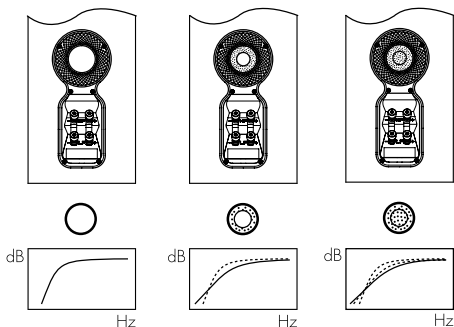
Existem 2 pares de terminais ligados na parte de trás da coluna. Para uma ligação convencional (ver acima, à esquerda), mantenha os terminais na posição de origem (conforme fornecidos), deixando apenas um par de terminais ligado ao amplificador. Para ligações de cablagem dupla ou amplificação dupla (ver acima, à direita), as ligações dos terminais devem ser removidas e cada um dos pares de terminais deve ser ligado ao amplificador de forma independente. A cablagem dupla pode melhorar a resolução dos detalhes de níveis mais baixos.



Certifique-se de que os terminais positivos da coluna (marcados com o sinal + e de cor vermelha) estão ligados ao terminal de saída positiva do amplificador e que os terminais negativos da coluna (marcados com o sinal - e de cor preta) estão ligados ao terminal de saída negativa do amplificador. Uma ligação incorrecta pode resultar numa imagem fraca e na perda de sons graves.

Peça aconselhamento ao seu fornecedor sobre a escolha de cabos para as colunas.

4. Ajustes



Antes de proceder aos ajustes, certifique-se de que todas as ligações na instalação estão correctas e são seguras.

Geralmente, o maior afastamento das colunas em relação às paredes reduz o volume dos sons graves. A existência de espaço atrás das colunas também ajuda a criar uma sensação de profundidade do som. Por seu lado, a maior aproximação das colunas em relação às paredes aumenta o volume dos sons graves. Se pretender reduzir o volume dos sons graves sem ter de afastar as colunas da parede, aplique os cilindros de espuma ou, para uma redução mais atenuada dos graves, os anéis de espuma nos tubos das portas (ver acima).

Se os sons graves parecerem estar desajustados em relação à frequência, é muito provável que tal se deva às características acústicas da divisão em que se encontra. Uma simples alteração na posição das colunas ou no local de audição pode ter um efeito significativo no desempenho sonoro, especialmente no que diz respeito a baixas frequências. Tente alterar o local de audição ou, se possível, colocar as colunas ao longo de uma parede diferente.

Se não existirem alternativas, pode ajustar o desempenho de baixa frequência das colunas utilizando os cilindros de espuma fornecidos. Os cilindros são compostos por duas partes, o que permite um determinado nível de ajuste: pode utilizar-se a parte exterior de maior diâmetro isoladamente ou combinar ambas as partes. Se utilizar apenas a parte exterior de maior diâmetro do cilindro de espuma, os sons graves serão menos atenuados do que se utilizar o conjunto completo de cilindros.





5. Utilização inicial

O desempenho das colunas terá variações subtis durante a primeira fase de audição. Se a coluna tiver sido armazenada num ambiente frio, os materiais de amortecimento e de suspensão dos diafragmas levarão algum tempo até recuperarem as suas propriedades mecânicas correctas. As suspensões dos diafragmas também ganharão mais flexibilidade após as primeiras horas de utilização. O tempo requerido para que as colunas atinjam o desempenho pretendido varia consoante as condições de armazenamento prévio e a forma de utilização das mesmas. Por norma, deverá esperar até uma semana para que os efeitos da temperatura estabilizem e cerca de 15 horas de utilização para que as peças mecânicas funcionem de acordo com as características previstas.

6. Manutenção





Geralmente, basta limpar o pó das superfícies da caixa das colunas. Se utilizar um *spray* ou outro produto de limpeza, aplique-o no pano e não directamente no equipamento e teste primeiro numa área mais reduzida, já que alguns produtos de limpeza podem danificar algumas superfícies. Evite utilizar produtos abrasivos ou que contenham agentes ácidos, alcalinos ou antibacterianos. As marcas na superfície pintada podem ser removidas com uma solução de sabão não-perfumado diluído. Retire quaisquer marcas que possam persistir com um detergente limpa-vidros adequado, limpando levemente com um pano de microfibras. Não utilize produtos de limpeza nos diafragmas e evite tocá-los, para evitar danos.

1. Rimozione dall'imballo

	1
	4
	4
	1

Contenuto della confezione**Controllare che nella scatola siano presenti:**

- 1 doppio inserto cilindrico in spugna
- 1 Set di accessori contenente:
 - 4 Piedini in gomma
 - 4 Piedini a punta con filetto M6
 - 4 Dadi (richiedono una chiave da 10 mm)
- 1 Base
- 1 Set di accessori contenente:
 - 1 Chiave a brugola
 - 4 Viti M6 x 35 mm
 - 4 Rondelle piane
 - 4 Rondelle dentellate antisvitamento

	1
	4
	4
	4

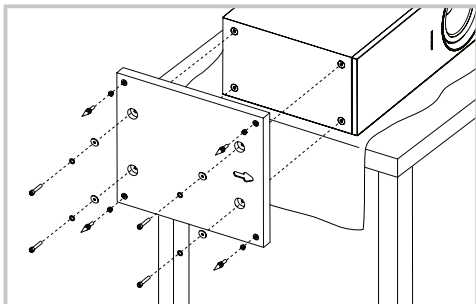
Informazioni per l'ambiente

Questo prodotto è realizzato in conformità (e non limitatamente) alle seguenti normative internazionali:

- I. la limitazione delle sostanze pericolose (RoHS) negli apparecchi elettrici ed elettronici,
- II. la registrazione, valutazione, autorizzazione e restrizione delle sostanze chimiche (REACH),
- III lo smaltimento delle apparecchiature elettriche ed elettroniche (WEEE).

Fare riferimento alle indicazioni dell'autorità del vostro Paese per il corretto riciclo o smaltimento del prodotto.

2. Posizionamento dei diffusori



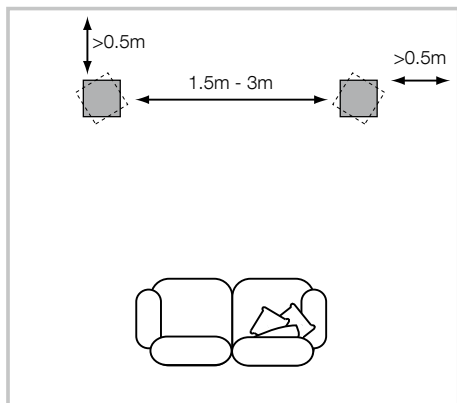
Installazione

Questi diffusori sono stati progettati per il solo utilizzo a pavimento. Montare preferibilmente i piedini a punta in dotazione, assicurandosi che essi poggino uniformemente senza far oscillare il mobile. Installando la base fornita, inoltre, si garantisce maggior stabilità.

È possibile montare la base sul diffusore direttamente nell'imballo, seguendo le illustrazioni riportate sul cartone. In alternativa stendere un panno su una superficie adatta, ad esempio un tavolo, e quindi adagiare il diffusore su un lato con il fondo oltre il bordo. Allineare la base ai fori per le viti sul fondo, assicurandosi che la freccia sul lato inferiore della base sia rivolta verso il frontale del diffusore. Fissare la base tramite le quattro viti M6 x 35 mm in dotazione infilando sotto la testa di ciascuna vite una rondella dentellata e quindi una rondella piana. Serrare le viti tramite la chiave a brugola fornita.

I piedini a punta sono progettati appositamente per penetrare attraverso un eventuale tappeto in modo da poggiare direttamente sul pavimento sottostante. Come prima cosa montare i dadi di bloccaggio sui piedini in modo che rimangano al di sopra del tappeto quando le punte toccano il pavimento. Avvitare completamente i piedini negli inserti filettati della base. Se il diffusore non è perfettamente stabile, svitare i due piedini che non toccano il pavimento fino a stabilizzarlo su tutte e quattro le punte. Da ultimo serrare i dadi contro la base del mobile. Si consiglia di regolare l'altezza dei piedini e stringere i dadi dopo avere trovato la collocazione ottimale del diffusore.

Se nel locale non sono presenti tappeti e si desidera evitare graffi al pavimento, è possibile mettere un dischetto metallico protettivo (ad esempio una piccola moneta) sotto ciascuna punta, oppure montare i piedini in gomma in dotazione. Installare i piedini in gomma e livellare il diffusore seguendo la stessa procedura indicata per quelli a punta.



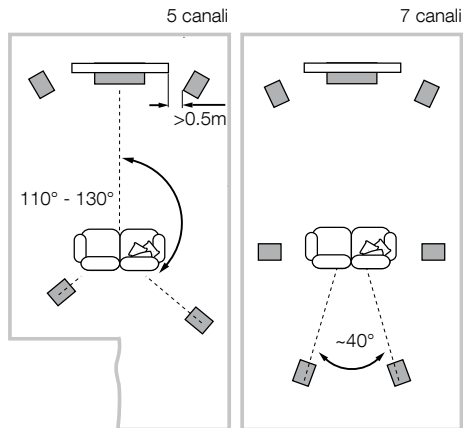
Posizionamento

Dopo una prima installazione iniziale, è consigliabile effettuare una regolazione fine della posizione dei diffusori che, con ogni probabilità, apporterà ulteriori miglioramenti alla qualità del suono.

Sia in impianti stereo che home theatre, cercare di assicurarsi che l'ambiente nelle immediate vicinanze di ciascun diffusore presenti caratteristiche acustiche il più possibile uguali. Ad esempio, se un diffusore si trova in prossimità di una parete spoglia mentre l'altro si trova vicino ad una tenda, un mobile o un divano, tanto la qualità sonora nel suo insieme, quanto l'immagine stereofonica rischiano di venir compromesse.

Sistemi stereo convenzionali

Inizialmente i diffusori dovrebbero venir collocati ad una distanza tra loro compresa tra 1,5 e 3 m ed agli angoli di un triangolo equilatero il cui vertice inferiore è rappresentato dal punto d'ascolto. I diffusori dovrebbero inoltre trovarsi a circa 0,5 m da ciascuna delle pareti circostanti (vedi figura in alto).



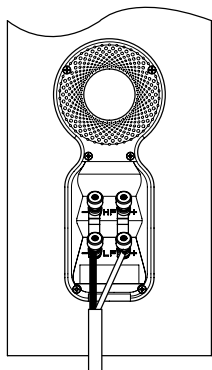
Sistemi Home Theatre

Se i diffusori vengono utilizzati come canali frontali in un sistema home theatre, essi dovrebbero essere posizionati più vicini tra loro rispetto ad un sistema stereo, in quanto i canali surround tendono ad allargare l'immagine sonora. Una collocazione a circa 0,5 m dai bordi dello schermo video aiuta a mantenere l'immagine sonora in scala con le proporzioni di quanto osservato visivamente. Come negli impianti stereo, anche in questo caso i diffusori dovrebbero trovarsi idealmente ad almeno 0,5 m sia dalla parte di fondo, sia da quella laterale. Qualora si preferisse mantenere i diffusori a ridosso della parete di fondo ed in tale posizione la gamma bassa risultasse eccessivamente enfatizzata, si veda la sezione 4. *Regolazione fine* più avanti dove viene descritto l'impiego degli inserti in spugna.

Campi magnetici dispersi

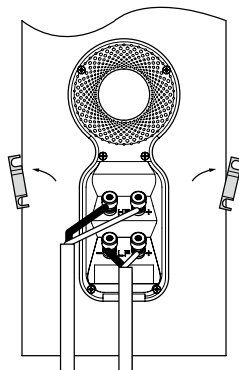
Gli altoparlanti dei diffusori creano dei campi magnetici che estendono la loro azione oltre i confini fisici dei mobili. Si consiglia pertanto di mantenere ad almeno 0,5 m di distanza ogni oggetto sensibile ai campi magnetici (televisioni a tubo catodico, nastri audio e video, carte di credito e simili). Schermi al plasma, LCD o OLED, al contrario, non risentono dei campi magnetici.

3. Collegamenti



Tutti i collegamenti devono essere effettuati con i componenti dell'impianto spenti.

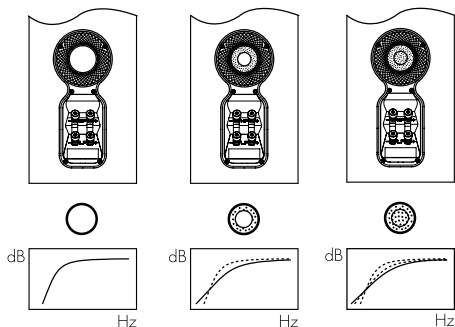
Sul retro di ciascun diffusore vi sono due coppie di morsetti collegate tra loro tramite ponticelli metallici. Per connessioni tramite un unico cavo, lasciare i ponticelli in posizione (vedi figura in alto a sinistra) e collegare solo una coppia di morsetti alle uscite dell'amplificatore. Per collegamenti in bi-wiring tramite due cavi (vedi figura in alto a destra), è necessario rimuovere i ponticelli e collegare ciascuna coppia di morsetti indipendentemente all'amplificatore con uno dei due cavi. Con questo tipo di connessione viene di solito migliorata l'immagine e la risoluzione dei dettagli.



Assicurarsi che i terminali positivi del diffusore (indicati con + e di colore rosso) siano collegati al terminale di uscita positivo dell'amplificatore, ed i terminali negativi (indicati con - e di colore nero) a quello negativo. Un collegamento errato non crea danni, ma darà origine ad una scadente immagine sonora e ad un'insufficiente gamma bassa.

Chiedere consiglio al vostro rivenditore sulla scelta dei cavi per i diffusori.

4. Regolazione fine



Prima procedere con la regolazione fine, assicuratevi che tutti i collegamenti dell'impianto siano corretti e stabili.

Allontanando i diffusori dalle pareti generalmente si riduce il livello dei bassi. Un maggior spazio dietro ad essi incrementa poi la sensazione di profondità della scena acustica. Al contrario avvicinando i diffusori alle pareti la gamma bassa viene rinforzata. Se si desidera ridurre i bassi senza allontanare ulteriormente i diffusori dalle pareti, inserire nei condotti d'accordo sul retro gli inserti in spugna completi o, per un effetto meno marcato, i soli anelli esterni (vedi figura in alto).

Se il basso appare irregolare, ciò è generalmente dovuto alle caratteristiche acustiche dell'ambiente. Anche piccoli cambiamenti nella posizione dei diffusori o del punto d'ascolto possono essere determinanti, in special modo alle basse frequenze. Provare, se possibile, a cambiare la posizione d'ascolto oppure a collocare i diffusori a ridosso di una parete diversa.

Se non esistono alternative al loro posizionamento, è possibile ottimizzare la resa alle basse frequenze tramite gli inserti in spugna forniti. Tali inserti sono composti da due parti e consentono un certo grado di regolazione: si possono infatti usare completi, oppure solo l'anello esterno. In quest'ultimo caso l'effetto di attenuazione della gamma bassa sarà meno marcato.


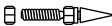


5. Rodaggio

Le prestazioni dei diffusori possono variare leggermente durante il periodo iniziale di ascolto. Se sono stati conservati in un ambiente freddo, i materiali smorzanti e le sospensioni degli altoparlanti necessiteranno di un certo intervallo di tempo per recuperare le loro proprietà meccaniche. Anche le sospensioni esterne tenderanno ad allentarsi durante le prime ore di utilizzo. Il tempo necessario al diffusore per arrivare alle prestazioni ottimali varia in base alle condizioni del precedente immagazzinaggio e da come viene utilizzato. Indicativamente può trascorrere fino ad una settimana perché gli effetti della temperatura si stabilizzino e 15 ore di utilizzo medio affinché le parti meccaniche raggiungano le caratteristiche ottimali definite in fase di progetto.

6. Manutenzione

I mobili dei diffusori normalmente necessitano solo di essere spolverati. Se si desidera utilizzare un prodotto spray per la loro pulizia, applicarlo sul panno, non direttamente sul mobile. Si consiglia altresì di provarlo prima su una piccola area non in vista, dal momento che alcuni detergenti troppo aggressivi potrebbero danneggiare la finitura. Non impiegare prodotti abrasivi o contenenti acidi, alcali o agenti anti-batterici. Eventuali macchie sulle superfici verniciate possono essere eliminate con una soluzione diluita a base di sapone priva di profumazione. Togliere ogni altro segno utilizzando un prodotto per vetri ed asciugando delicatamente con un panno in microfibra. Non utilizzare alcun detergente sugli altoparlanti ed evitare anche di toccarli per non danneggiarli.





1. Uitpakken

	1
	4
	4
	1

Inhoud doos

Controleer of de doos het volgende bevat:

- 1 schuim plug
- 1 doos met de volgende inhoud:
 - 4 rubber voetjes
 - 4 M6 spikes
 - 4 contrafoeren (10 mm buitenmaat)
- 1 plint
- 1 doos met de volgende inhoud:
 - 1 inbussleuteltje
 - 4 M6 x 35 mm schroeven
 - 4 vlakke revetten
 - 4 trillingsvrije revetten

	1
	4
	4
	4

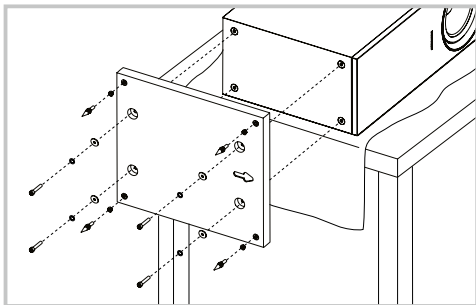
Informatie over het Milieu

Dit product voldoet aan de internationale richtlijnen waaronder, maar daartoe niet beperkt:

- i. de **R**estriction of **H**azardeous **S**ubstances (RoHS) voor elektrische en elektronische apparatuur;
- ii. de **R**egistration, **E**valuation, **A**uthorisation and restriction of **C**hemicals (REACH);
- iii. de afvoer van **W**aste **E**lectrical and **E**lectronic **E**quipment (WEEE).

Raadpleeg de plaatselijke milieudienst voor informatie over het verantwoord afvoeren van overtollige of afgedankte apparatuur.

2. Opstelling



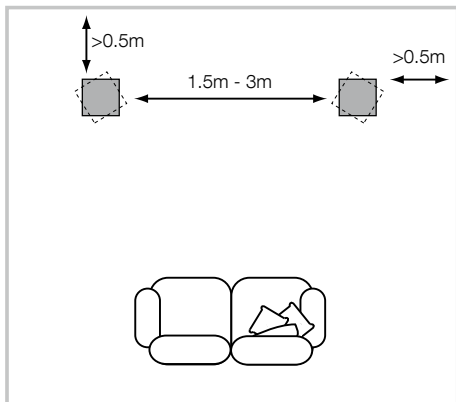
Luidspreker Installeren

Deze luidsprekers zijn uitsluitend bedoeld voor opstelling op de vloer. Het is belangrijk dat de luidsprekers stevig op de vloer staan, indien maar enigszins mogelijk op de bijgevoegde spikes. Bovendien dient bij de hogere 603 S2 de plint te worden gemonteerd voor een stabiele opstelling.

Tijdens het uitpakken kan het voetstuk worden bevestigd. Volg hiervoor de afbeeldingen op de bovenflap van de doos. U kunt het voetstuk ook bevestigen als het product volledig uitgepakt is. Bedek daarvoor een geschikt steunoppervlak, bijvoorbeeld een tafel, met een doek en leg de luidspreker op zijn kant met de onderkant van de behuizing over de rand van het steunoppervlak. Breng de plint in lijn met de bevestigingsgaten in de onderzijde en let erop dat de pijl in de onderzijde van de plint naar voren wijst. Schroef de plint vast met de bijgeleverde schroeven en revetten. Leg de borgring tussen de revet en de kop van de schroef. Draai de schroeven vast met de bijgevoegde inbussleutel.

Spikes zijn bedoeld om door het tapijt heen te prikken, zodat de luidspreker op de vloer eronder staat. Schroef in eerste aanleg de contra moeren zover op de spikes dat de moeren vrij blijven van het tapijt terwijl de spikes op de onderliggende vloer staan. Schroef de spikes helemaal in de openingen met schroefdraad van de plint. Wanneer de luidspreker niet stabiel staat en wiebelt, schroef van de beide spikes die de vloer niet raken wat verder naar buiten tot de kast niet meer wiebelt. Tot slot draait u de contra moeren vast tegen de kast. Het is verstandig de spikes vast te zetten nadat de optimale luidsprekeropstelling is gevonden.

Bij andere vloeren dan tapijt kunt u krassen op de vloer voorkomen door ter bescherming een metalen schijf – een muntstuk bijvoorbeeld – tussen de spikes en de vloer te gebruiken; ook kunt u de rubber voetjes gebruiken. Breng de rubber voetjes op dezelfde wijze aan als de spikes en stel ze op dezelfde manier af.



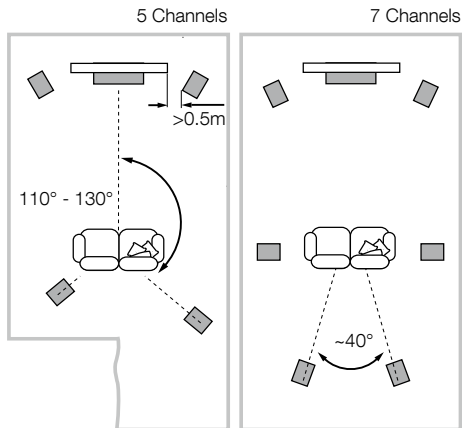
Luidsprekeropstelling

Experimenteren met de luidsprekeropstelling nadat deze is geïnstalleerd zal vaak de geluidskwaliteit verder verbeteren en is daarom bijna altijd de moeite waard.

Zowel bij stereo- als bij home theater systemen is het verstandig te streven naar een identieke directe akoestische omgeving voor alle luidsprekers. Wanneer bijvoorbeeld één luidspreker dichtbij een kale wand is geplaatst en de andere in de nabijheid van zachte meubilering of gordijnen, dan zullen zowel de algehele geluidskwaliteit als het stereobeeld daar onder lijden.

Conventionele Stereosystemen

Als uitgangspunt worden de luidsprekers 1,5 tot 3 meter uit elkaar geplaatst, zodanig dat zij zich beide even ver van het luistergebied bevinden. Het verdient de voorkeur een luidspreker ca. 0,5 m van de achterwand en minimaal 0,5 m van de zijwanden te plaatsen (zie afbeelding hierboven).



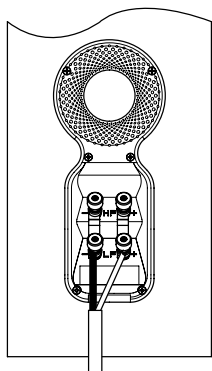
Home Theater Systemen

Wanneer de luidsprekers worden gebruikt voor de front kanalen in een home theater systeem, dienen ze iets dichterbij elkaar te staan dan bij tweekanalen stereo omdat de surround kanalen het klankbeeld verbreden. Opstelling van de luidsprekers op 0,5 m ter weerszijden van het beeldscherm houdt het klankbeeld in de juiste verhouding met de grootte van het beeldscherm. Net als bij conventionele stereo-opstelling dienen de luidsprekers liefst ca. 0,5 m van de achterwand te blijven en eveneens 0,5 m van de zijwanden. Als u uw luidspreker het liefst tegen de achterwand plaatst en deze locatie ertoe leidt dat de lage tonen te zwaar benadrukt worden, ga dan naar het hoofdstuk over Fijnafstemming in deze handleiding voor nadere informatie over het gebruik van de dopjes van schuim.

Magnetisch Strooiveld

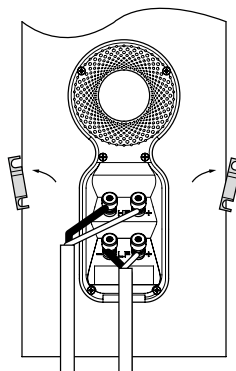
De luidsprekereenheden veroorzaken een magnetisch strooiveld dat ook buiten de kast merkbaar is. Wij raden u aan magnetisch gevoelige zaken (beeldbuizen, computerdiscs, audio- en videobanden, creditcards, enz.) minimaal op een afstand van 0,5 m van de luidspreker te houden. LCD- en plasmaschermen zijn niet gevoelig voor het magnetisch veld. LCD, OLED en plasma beeldschermen hebben geen last van magnetische velden.

3. Verbindingen



Voordat u apparatuur aansluit of iets aan de verbindingen verandert, altijd eerst alle apparatuur uitschakelen.

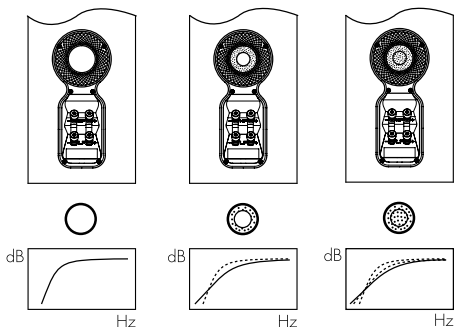
Er bevinden zich twee paar gekoppelde aansluitklemmen achterop de luidspreker. Voor een conventionele aansluiting (linksboven) moeten de koppelingen tussen de aansluitklemmen op hun plaats blijven zitten (zoals bij aflevering het geval is) en sluit u maar één paar aansluitklemmen op de versterker aan. Voor dubbel bedrade aansluitingen of dubbele versterking (rechtsboven) moeten de koppelingen tussen de aansluitklemmen verwijderd worden en moet elk paar aansluitklemmen apart aan de versterker(s) worden aangesloten. Dubbele bedrading kan de resolutie bij een lage detaillering verbeteren.



Zorg ervoor dat de positieve aansluitingen van de luidspreker (rood gekleurd en van een + voorzien) met de positieve uitgang van de versterker worden verbonden en de negatieve aansluitingen van de luidspreker (zwart gekleurd en van een - voorzien) met de negatieve uitgang van de versterker worden verbonden. Foutieve aansluiting geeft een minder goed ruimtebeeld en verlies aan bas.

Vraag uw leverancier advies over de keuze van de luidsprekerkabel.

4. Fijnafstemming



Controleer voordat u aan het fijnafstemmen begint, of alle verbindingen correct en stevig zijn geïnstalleerd.

Door de luidsprekers verder van de wand te plaatsen zal in het algemeen het laag afnemen. De ruimte achter de luidsprekers verhoogt ook de ruimtelijke indruk op het gehoor. Omgekeerd, door de luidsprekers dichterbij de wand op te stellen, neemt het laag juist toe. Wanneer u het laag wilt reduceren zonder de luidsprekers verder van de wand te plaatsen, drukt u de schuimrubber doppen in de poorten als aangegeven in afbeelding hierboven.

Als de lage tonen lijken af te wijken van de frequentie, is dit waarschijnlijk het gevolg van de akoestiek in het vertrek. De kleinste veranderingen in de positie van de luidsprekers of de luisterpositie kunnen al een aanzienlijk effect hebben op de geluidsprestaties, met name bij lage frequenties. Probeer zo mogelijk uw luisterpositie te veranderen of uw luidsprekers voor een andere wand te plaatsen.

Als deze alternatieve oplossingen niet werken, kunt u de lagetonenweergave van uw luidsprekers aanpassen met de meegeleverde dopjes van schuim. Elk dopje bestaat uit twee delen, zodat er een zekere mate van fijnafstemming mogelijk is door gebruik te maken van alleen het buitenste deel met de grotere diameter, of beide delen samen. Als u alleen het buitenste deel met de grotere diameter gebruikt, worden de lage tonen minder afgezwakt dan wanneer u beide delen van het dopje gebruikt.


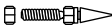


5. Inspelen

De eigenschappen van de luidspreker zullen gedurende de eerste luisterperiode op subtiële wijze iets veranderen. Wanneer de luidspreker in een koude omgeving opgeslagen is geweest, zijn de dempende materialen en de ophanging wat stug en het duurt enige tijd voordat zij de juiste mechanische eigenschappen terug hebben. Ook zal de ophanging in de eerste uren van het gebruik nog wat soepeler worden. De tijd die de luidspreker nodig heeft om de beoogde eigenschappen te bereiken, wordt bepaald door de wijze waarop hij voorheen is opgeslagen en de manier waarop hij wordt gebruikt. Houd als richtlijn een week aan om een stabiele temperatuur te bereiken en ca. 15 uur gebruik om de mechanische onderdelen de beoogde eigenschappen te laten verkrijgen.

6. Onderhoud

De kast hoeft over het algemeen alleen maar te worden afgestoft. Wilt u een spuitbus of een ander reinigingsmiddel gebruiken, breng dat dan aan op een doek en niet rechtstreeks op de kast; probeer het ook eerst op een niet zichtbare plaats omdat sommige producten het oppervlak aantasten. Vermijd vooral schurende producten en producten met vergif, alkali of insecticiden. Afdrukken op de lak kunnen worden verwijderd met een oplossing met een parfümvrije zachte zeep. Verwijder eventueel achtergebleven strepen met een glasreiniger en veeg het droog met een microfiber doekje. Gebruik nooit reinigingsmiddelen op de luidsprekereenheden en raak ze niet aan om beschadiging te voorkomen.





1. Αποσυσκευασία

	1
	4
	4
	1

Περιεχόμενα του κουτιού

Το κουτί θα πρέπει να περιέχει τα παρακάτω:

- 1 παρέμβυσμα αφρού
- 1 συσκευασία αερασούαρ που περιέχει
 - 4 πόδια από καουτσούκ
 - 4 ακίδες M6
 - 4 παξιμάδια ασφάλισης (10 mm μεταξύ επιπέδων επιφανειών)
- 1 βάση
- 1 συσκευασία αερασούαρ που περιέχει
 - 1 κλειδί άλλεν
 - 4 βίδες M6 x 35 mm
 - 4 απλές ροδέλες
 - 4 οδοντωτές ροδέλες

	1
	4
	4
	4

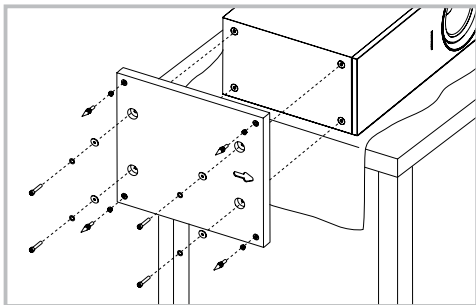
Πληροφορίες σχετικά με το περιβάλλον

Αυτό το προϊόν πληροί τις διεθνείς οδηγίες, στις οποίες συγκαταλέγονται, χωρίς περιορισμούς:

- i. η οδηγία **Restriction of Hazardous Substances** (RoHS - Περιορισμός στη χρήση επικίνδυνων ουσιών) στα είδη ηλεκτρικού και ηλεκτρονικού εξοπλισμού
- ii. η οδηγία **Registration, Evaluation, Authorisation and restriction of CHemicals** (REACH - Καταχώριση, αξιολόγηση, αδειοδότηση και περιορισμοί των χημικών προϊόντων)
- iii. η οδηγία σχετικά με την απόρριψη **Waste Electrical and Electronic Equipment** (WEEE - Απόβλητα ηλεκτρικού και ηλεκτρονικού εξοπλισμού).

Συμβουλευτείτε την τοπική αρχή διάθεσης αποβλήτων για οδηγίες σχετικά με τους τρόπους σωστής ανακύκλωσης ή απόρριψης του προϊόντος αυτού.

2. Τοποθέτηση



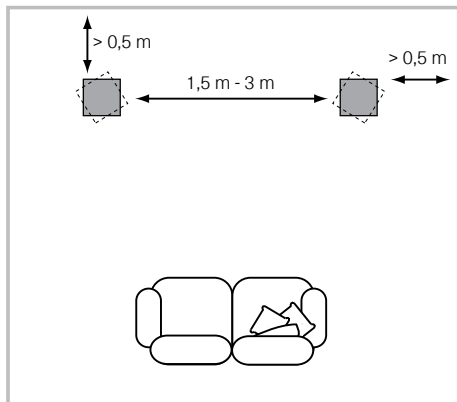
Τοποθέτηση ηχείου

Τα ηχεία προορίζονται μόνο για τοποθέτηση στο δάπεδο. Πρέπει να διασφαλίσετε ότι τα ηχεία στηρίζονται σταθερά στο δάπεδο χρησιμοποιώντας τις ακίδες που παρέχονται, όποτε είναι δυνατόν. Επιπλέον, τοποθετήστε τη βάση για καλύτερη ευστάθεια.

Μπορείτε να προσαρτήσετε τη βάση κατά τη διάρκεια της αποσυσκευασίας, ακολουθώντας τα διαγράμματα που υπάρχουν στο επάνω φύλλο του κουτιού. Εναλλακτικά, μπορείτε να την προσαρτήσετε αφού ολοκληρώσετε την αποσυσκευασία του προϊόντος, καλύπτοντας ένα κατάλληλο στήριγμα (π.χ. τραπέζι) με ένα πανί και ακουμπώντας το ηχείο πλευρικά, με τη βάση του περιβλήματος να προσέχει από το στήριγμα. Ευθυγραμμίστε τη βάση με τις οπές προσαρτήσης στην κάτω πλευρά του περιβλήματος, διασφαλίζοντας ότι το βέλος στην κάτω πλευρά της βάσης έχει κατεύθυνση προς τα εμπρός. Ασφαλίστε τη βάση χρησιμοποιώντας τις βίδες και τις ροδέλες που παρέχονται. Τοποθετήστε τις οδοντωτές ροδέλες ανάμεσα στις απλές ροδέλες και τις κεφαλές των βιδών. Σφίξτε τις βίδες με το κλειδί άλθεν που παρέχεται.

Οι ακίδες έχουν σχεδιαστεί έτσι ώστε να τρυπούν το χαλί και να ακουμπούν στην επιφάνεια του δαπέδου. Αρχικά, βιδώστε τα παξιμάδια ασφάλισης πάνω στις ακίδες όσο χρειάζεται ώστε τα παξιμάδια να βρίσκονται μόλις πάνω από την επιφάνεια του χαλιού όταν οι ακίδες ακουμπούν στο δάπεδο κάτω από το χαλί. Βιδώστε εντελώς τις ακίδες στις υποδοχές της βάσης που διαθέτουν σπείρωμα. Αν το περίβλημα είναι ασταθές όταν τοποθετηθεί στο δάπεδο, ξεβιδώστε τις δύο ακίδες που δεν αγγίζουν το δάπεδο μέχρις ότου το περίβλημα ακουμπήσει σταθερά χωρίς να κουνιέται. Τέλος, ασφαλίστε τα παξιμάδια στο περίβλημα. Ενδέχεται να είναι πιο εύκολη η τοποθέτηση και ρύθμιση των ακίδων αφού βελτιστοποιηθεί η θέση του ηχείου.

Αν δεν υπάρχει χαλί και θέλετε να αποφύγετε τις γρατσουνιές στην επιφάνεια του δαπέδου, χρησιμοποιήστε είτε έναν προστατευτικό μεταλλικό δίσκο (ίσως κάποιο κέρμα) ανάμεσα στην ακίδα και το δάπεδο ή χρησιμοποιήστε τα παρεχόμενα πόδια από καουτσούκ. Τοποθετήστε τα πόδια από καουτσούκ και οριζοντιώστε το περίβλημα με τον ίδιο τρόπο που εφαρμόσατε με τις ακίδες.



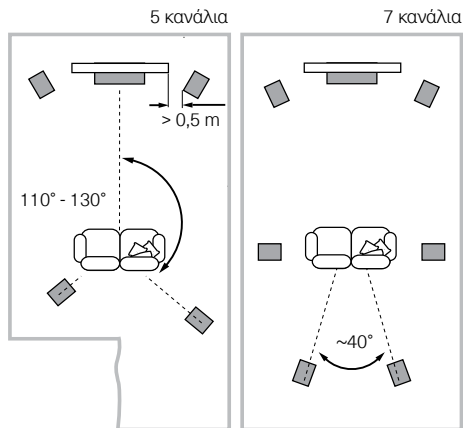
Τοποθέτηση των ηχείων

Η ρύθμιση της θέσης των ηχείων μετά από την αρχική εγκατάσταση ενδεχομένως να βελτιώσει περισσότερο την ποιότητα του ήχου και συνήθως αξίζει τον κόπο να γίνει.

Σε εγκαταστάσεις σε στερεοφωνικά συστήματα ή συστήματα οικιακού κινηματογράφου, προσπαθήστε να διασφαλίσετε ότι το άμεσο περιβάλλον του κάθε ηχείου είναι παρόμοιο σε ακουστικό χαρακτήρα. Για παράδειγμα, αν το ένα ηχείο τοποθετηθεί κοντά σε γυμνούς τοίχους και το άλλο τοποθετηθεί κοντά σε μαλακά έπιπλα και κουρτίνες, τότε τόσο η συνολική ποιότητα του ήχου όσο και η στερεοφωνική εικόνα είναι πιθανό να θα περιοριστούν.

Συμβατικά στερεοφωνικά συστήματα

Για να αρχίσουμε, τα ηχεία θα πρέπει να τοποθετούνται σε απόσταση μεταξύ 1,5 m και 3 m μεταξύ τους, στις δύο γωνίες ενός ισοπλευρού τριγώνου, το οποίο ολοκληρώνεται με την περιοχή ακρόασης στην τρίτη γωνία. Τα ηχεία πρέπει να απέχουν περίπου 0,5 m από τον πίσω τοίχο και τουλάχιστον 0,5 m από οποιουδήποτε πλευρικούς τοίχους (επάνω).



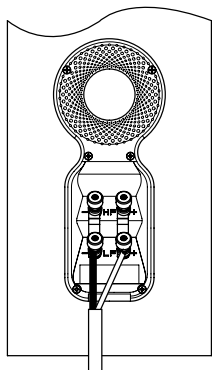
Συστήματα οικιακού κινηματογράφου

Αν τα ηχεία πρόκειται να χρησιμοποιηθούν για τα μπροστινά κανάλια σε ένα σύστημα οικιακού κινηματογράφου, θα πρέπει να τοποθετηθούν πλησιέστερα μεταξύ τους από την περίπτωση του ήχου 2 καναλιών, επειδή τα κανάλια surround τείνουν να διευρύνουν την εικόνα. Η τοποθέτηση των ηχείων εντός απόστασης περίπου 0,5 m από τις πλευρές της θρόνης θα διατηρήσει επίσης την εικόνα του ήχου σε κλίμακα παράλληλη με την οπτική εικόνα. Όπως συμβαίνει με τη συμβατική στερεοφωνική τοποθέτηση, τα ηχεία θα πρέπει ιδανικά να απέχουν τουλάχιστον 0,5 m από οποιουδήποτε πλευρικούς τοίχους. Αν θέλετε να τοποθετήσετε το ηχείο σας έτσι ώστε να ακουμάτ στον πίσω τοίχο και αυτή η τοποθέτηση δίνει υπερβολική έμφαση τα μπάσα, αναρρέξτε στην ενότητα "Μικροσυντονισμός" αυτού του εγχειριδίου για πληροφορίες σχετικά με τη χρήση των παρεμβυσμάτων αφρού.

Μαγνητικά πεδία διασποράς

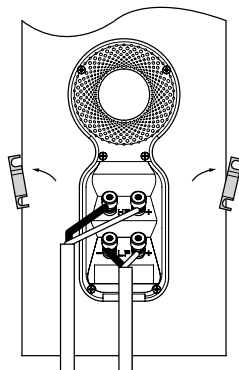
Οι μονάδες οδήγησης του ηχείου δημιουργούν μαγνητικά πεδία διασποράς που εκτείνονται εκτός των ορίων του περιβάλλοντος. Σας συνιστούμε να διατηρείτε τα αντικείμενα που είναι ευαίσθητα σε μαγνητικά πεδία (ηλεκτρονικές CRT και οθόνες υπολογιστών, δίσκοι υπολογιστών, ταινίες ήχου και βίντεο, μαγνητικές κάρτες και τα παρόμοια) σε απόσταση τουλάχιστον 0,5 m από το ηχείο. Οι οθόνες LCD, OLED και πλάσματος δεν επηρεάζονται από τα μαγνητικά πεδία.

3. Συνδέσεις



Όλες οι συνδέσεις θα πρέπει να γίνονται με τον ηχητικό εξοπλισμό απενεργοποιημένο.

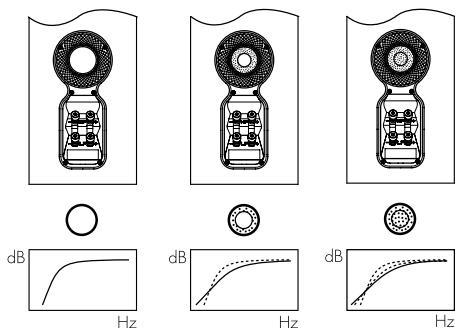
Υπάρχουν 2 συνδεδεμένα ζεύγη ακροδεκτών στο πίσω μέρος του ηχείου. Για συμβατική σύνδεση (επάνω αριστερά), οι συνδέσεις των ακροδεκτών θα πρέπει να παραμένουν στη θέση τους (όπως παραδόθηκε το προϊόν) και μόνο ένα ζεύγος ακροδεκτών να συνδέεται στον ενισχυτή. Για συνδέσεις με δύο καλώδια ή ενίσχυση με δύο καλώδια (επάνω δεξιά), οι συνδέσεις των ακροδεκτών θα πρέπει να αφαιρούνται και το κάθε ζεύγος ακροδεκτών να συνδέεται στον ενισχυτή ή στους ενισχυτές ανεξάρτητα. Η σύνδεση με δύο καλώδια μπορεί να βελτιώσει την ανάλυση των λεπτομερειών χαμηλού επιπέδου.



Διασφαλίστε ότι οι θετικοί ακροδέκτες στο ηχείο (σήμανση + και κόκκινο χρώμα) είναι συνδεδεμένοι στο θετικό ακροδέκτη εξόδου στον ενισχυτή και ότι οι αρνητικοί ακροδέκτες στο ηχείο (σήμανση - και μαύρο χρώμα) είναι συνδεδεμένοι στον αρνητικό ακροδέκτη εξόδου στον ενισχυτή. Η ασφαλή σύνδεση μπορεί να έχει ως αποτέλεσμα κακή απεικόνιση και απώλεια των μπάσων.

Ζητήστε από την αντιπροσωπία συμβουλές όταν επιλέγετε καλώδιο ηχείου.

4. Μικροσυντονισμός



Πριν από το μικροσυντονισμό, βεβαιωθείτε ότι όλες οι συνδέσεις της εγκατάστασης είναι σωστές και ασφαλείς.

Η απομάκρυνση των ηχείων περισσότερο από τους τοίχους γενικώς θα μειώσει την ένταση των μπάσων. Ο χώρος πίσω από τα ηχεία θα βοηθήσει επίσης να δημιουργηθεί μια ακουστική αίσθηση βάθους. Αντίθετα, η μετακίνηση των ηχείων πλησιέστερα στους τοίχους θα αυξήσει την ένταση των μπάσων. Αν θέλετε να μειώσετε την ένταση των μπάσων χωρίς να μετακινήσετε τα ηχεία περισσότερο από τον τοίχο, τοποθετήστε τα παρεμβύσματα αφρού ή, για μικρότερη μείωση των μπάσων, τους δακτυλίους αφρού στους σωλήνες των θυρών (επάνω).

Αν τα μπάσα ακούγονται ανομοιόμορφα με τη συχνότητα, αυτό κατά πάσα πιθανότητα θα οφείλεται στις ακουστικές ιδιότητες του δωματίου ακρόασης. Ακόμα και μικρές αλλαγές στην τοποθέτηση των ηχείων ή στη θέση ακρόασης μπορούν να έχουν σημαντική επίδραση στην ηχητική απόδοση, ειδικότερα στις χαμηλές συχνότητες. Δοκιμάστε να μετακινήσετε τη θέση ακρόασης ή τοποθετήστε τα ηχεία σας κοντά σε διαφορετικό τοίχο, αν είναι δυνατό.

Αν δεν υπάρχουν εναλλακτικές, μπορείτε να προσαρμόσετε την απόδοση των ηχείων σας σε χαμηλή συχνότητα χρησιμοποιώντας τα παρεχόμενα παρεμβύσματα αφρού. Τα παρεμβύσματα είναι εξαρτήματα δύο μερών, τα οποία επιτρέπουν ένα βαθμό μικροσυντονισμού χρησιμοποιώντας είτε μόνο το εξωτερικό τμήμα μεγαλύτερης διαμέτρου είτε και τα δύο τμήματα μαζί. Η χρήση μόνο του εξωτερικού παρεμβύσματος αφρού μεγαλύτερης διαμέτρου θα μετριάσει λιγότερο τα μπάσα από την πλήρη διάταξη του παρεμβύσματος.





5. Πρώτη λειτουργία

Η απόδοση του ηχείου θα αλλάξει ελαφρά κατά τη διάρκεια της αρχικής περιόδου ακρόασης. Αν το ηχείο έχει αποθηκευτεί σε ψυχρό περιβάλλον, οι ουσίες απόσβεσης των κραδασμών και τα υλικά ανάρτησης των μονάδων οδήγησης θα χρειαστούν λίγο χρόνο για να ανακτήσουν τις σωστές μηχανικές τους ιδιότητες. Τα εξαρτήματα ανάρτησης της μονάδας οδήγησης θα χαλαρώσουν επίσης κατά τη διάρκεια των πρώτων ωρών χρήσης. Ο χρόνος που χρειάζεται το ηχείο για να επιτύχει την απόδοση για την οποία προορίζεται θα ποικίλλει, ανάλογα με τις συνθήκες όπου είχε αποθηκευτεί προηγουμένως και τον τρόπο χρήσης του. Ως κανόνα, να αφήνετε να παρέλθει έως μία εβδομάδα για να σταθεροποιηθούν οι επιδράσεις της θερμοκρασίας και 15 ώρες χρήσης κατά μέσο όρο προκειμένου τα μηχανικά μέρη να αποκτήσουν τα χαρακτηριστικά σχεδίασης που πρέπει.

6. Φροντίδα και συντήρηση

Οι επιφάνειες του περιβλήματος συνήθως χρειάζονται μόνο ξεσκόνισμα. Αν θέλετε να χρησιμοποιήσετε κάποιο σπρέι ή άλλο καθαριστικό, απλώς το καθαριστικό επάνω στο πανί, όχι απευθείας επάνω στο προϊόν και δοκιμάστε πρώτα σε μια μικρή περιοχή, καθώς ορισμένα καθαριστικά προϊόντα ενδέχεται να προκαλέσουν ζημιά σε ορισμένες από τις επιφάνειες. Αποφύγετε προϊόντα που είναι διαβρωτικά ή περιέχουν οξέα, αλκάλια ή αντιβακτηριδιακούς παράγοντες. Τα σημάδια επάνω στην επιφάνεια της βαφής μπορούν να αφαιρούνται με ένα διάλυμα σαπουνιού χωρίς άρωμα. Αφαιρείτε οποιαδήποτε σημάδια ραβδώσεων απομένουν ψεκάζοντας με ένα κατάλληλο καθαριστικό για τζάμια και σκουπίζοντας ελαφρά για να στεγνώσει με ένα πανί από μικροΐνες. Μη χρησιμοποιείτε καθαριστικά στις μονάδες οδήγησης και αποφύγετε να τις αγγίζετε, καθώς ενδέχεται να προκληθεί ζημιά.





1. Распаковка

	1
	4
	4
	1

Содержание упаковок

Проверьте комплектацию:

- 1 поролоновая заглушка
- 1 дополнительная упаковка, содержащая:
 - 4 резиновых опоры
 - 4 опоры – шипа с резьбой М6
 - 4 контргайки (плоские 10 мм)
- 1 плата основания
- 1 дополнительная упаковка, содержащая:
 - 1 шестигранный ключ
 - 4 болта М6 х 35мм
 - 4 плоских шайбы
 - 4 упорных шайбы

	1
	4
	4
	4

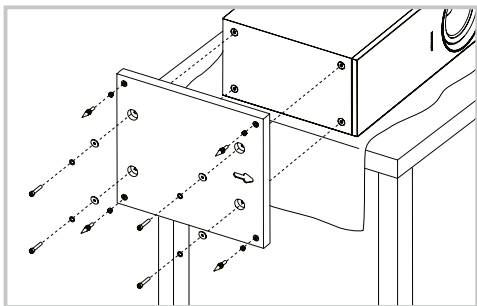
Информация по защите окружающей среды

Этот продукт полностью соответствует международным директивам, включая, но не ограничиваясь:

- i. По ограничениям использования опасных материалов (**R**estriction of **H**azardous **S**ubstances – RoHS) в электрическом и электронном оборудовании,
- ii. По регистрации, оценке, авторизации и ограничению использования химических веществ – **R**egistration, **E**valuation, **A**uthorisation and restriction of **C**hemicals (REACH)
- iii. По утилизации отходов – **W**aste **E**lectrical and **E**lectronic **E**quipment – (WEEE).

Проконсультируйтесь с вашей местной организацией, которая занимается утилизацией отходов, по вопросам правильной сдачи вашего оборудования в утиль.

2. Размещение



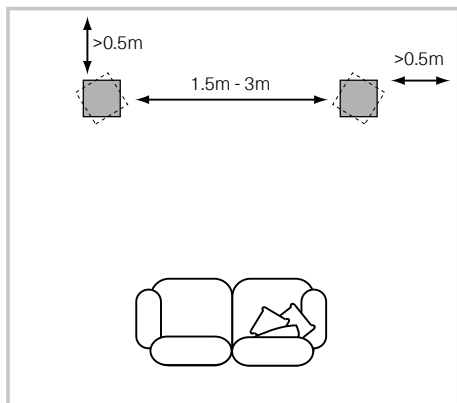
Установка колонок

Колонки предназначены только для напольной установки. Важно всюду, где это возможно, обеспечить их прочное положение на полу с помощью шипов, входящих в комплект. Кроме того, установите АС на прилагаемую плиту для лучшей устойчивости.

Вы можете прикрепить опорную плиту в ходе распаковки, следуя указаниям рисунка на верхней плоскости картонной коробки. Кроме того, вы можете прикрепить ее после того, как колонка будет полностью распакована, покрыв подходящую подставку типа стола тканью и положив на него колонку боком, причем так чтобы ее основание свешивалось с этого стола. Совместите плиту с отверстиями для ее крепления в нижней части корпуса, так чтобы стрелка на нижней поверхности плиты указывала вперед. Прикрепите прочно плиту с помощью прилагаемых в комплекте болтов и шайб. Наденьте упорные шайбы между плоскими шайбами и головками болтов. Затяните болты с помощью шестигранного ключа.

Шипы рассчитаны на то, чтобы проткнуть ковер и опираться на поверхность пола. Сначала наверните контргайки на шипы так, чтобы остался небольшой зазор над ковром при шипах, прочно стоящих на полу. Затем заверните шипы до упора в отверстия с резьбой в опорной плите. Если корпус шатается, отверните назад шипы, которые не касаются пола, чтобы он прочно встал на все опоры. Наконец, затяните контргайки в сторону корпуса или плиты. Более удобно отрегулировать высоту шипов после того, как вы выберете оптимальное место для колонок.

Если у вас нет ковра, и вы хотите избежать царапин на полу, используйте защитные металлические диски (например, монеты), вставляемые между шипами и полом, или же установите резиновые ножки из комплекта. Привинтите резиновые опоры и выровняйте корпус точно так же, как и в случае с шипами.



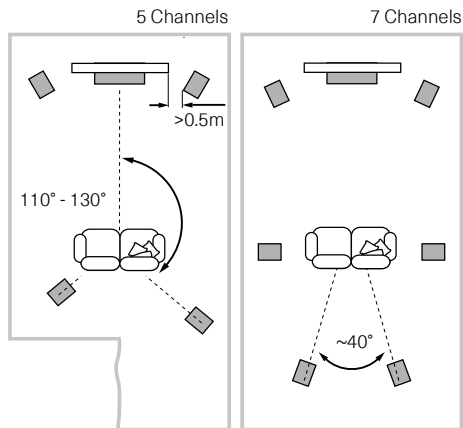
Выбор места для колонок

После начальной установки следует попробовать более точно выбрать место для АС, т.к. это может дополнительно улучшить качество звучания.

В системах домашнего театра или стерео системах старайтесь сделать так, чтобы ближнее окружение каждой из колонок было похожем по акустическим свойствам. Например, если одна АС примыкает к голым стенам, а другая – к мягкой мебели и шторам, то это может отрицательно повлиять на звучание.

Обычные стерео системы

Для начала расположите АС на расстоянии от 1,5 до 3 м друг от друга в двух углах равностороннего треугольника, третий угол которого – это центр зоны прослушивания. Колонки должны быть на расстоянии по крайней мере 0,5 м от задней и боковых стен (см. рис. выше).



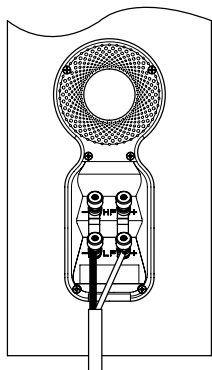
Системы Домашнего Театра

Если АС используются как фронтальные каналы в домашнем театре, они должны стоять ближе друг к другу, чем в 2-канальном варианте, т.к. тыловые каналы расширяют образ. Размещение АС на расстоянии приблизительно по 0,5 м от сторон экрана также помогает согласовать масштаб звукового и зрительного образа. Как и в случае обычного стерео, АС должны в идеале располагаться на расстоянии не менее 0,5 м от задней и боковых стен. Если вы предпочитаете придвинуть колонки ближе к задней стене, и это приводит к чересчур подчеркнутым басам, обращайтесь в Раздел «Тонкая настройка» этого руководства за указаниями по использованию поролоновых заглушек.

Рассеянное магнитной поле

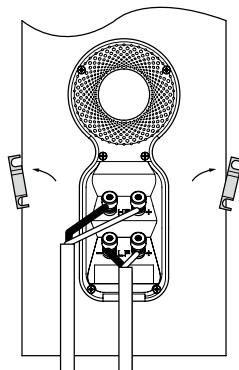
Динамики колонок создают магнитное поле, выходящее за их пределы. Мы рекомендуем держать магниточувствительные предметы (кинескопные CRT-телевизоры, дисплеи, диски, магнитные аудио и видеокассеты, карточки и т.п.) на расстоянии минимум 0,5 м от колонок. LCD, OLED и плазменные панели не подвержены действию магнитных полей.

3. Подсоединения



Все подключения делаются только при выключенном оборудовании.

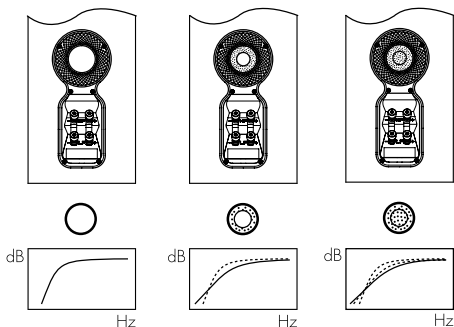
На задней панели колонок имеются две пары соединенных колоночных клемм. При обычном соединении (как вверху слева), соединительные пластины должны оставаться на месте (как в момент поставки АС) и только одну пару клемм необходимо подсоединить к усилителю. Для подключения колонок би-ваерингом или би-ампингом (как вверху справа), соединительные пластины следует удалить, и каждую пару клемме подсоединить к усилителю (или усилителям) независимо. Подключение би-ваерингом может улучшить разрешение деталей малого уровня.



Подсоедините плюсовой разъем колонки (со знаком + и окрашенный в красный) к плюсовому выходу усилителя, а минусовой (со знаком – и окрашенный в черный) – к минусовому на усилителе. Неверное подключение приведет к искажению звукового образа и утере басов.

Попросите вашего дилера порекомендовать кабель.

4. Тонкая настройка



Перед окончательной точной настройкой убедитесь, что все подключено правильно и надежно.

Отодвигая колонки от стен, вы, как правило, уменьшаете уровень басов. Достаточное расстояние позади колонок позволяет также создать ощущение глубины. Соответственно, придвинув колонки к стенам, вы увеличите долю басов. Если вы хотите снизить уровень басов, не отодвигая колонки от стен, вставьте поролоновую заглушку в порт фазоинвертора, или же – для не такого резкого снижения – поролоновое кольцо (см. рис. выше).

Если интенсивность басов сильно зависит от частоты, это может быть вызвано акустическими свойствами вашего помещения для прослушивания. Даже небольшие изменения в расположении колонок или слушателей могут существенно повлиять на качество звучания, особенно на низких частотах. Попробуйте сменить место прослушивания или размещение ваших колонок, например, установить их вдоль другой стены, если это возможно.

Если нет других альтернатив, можно настроить звучание колонок на низких частотах с помощью прилагаемых поролоновых заглушек. Заглушка состоит из двух частей, чтобы можно было выбрать степень демпфирования при тонкой настройке – одной большого диаметра с отверстием внутри, и второй – закрывающей плотно это отверстие. При установке только одной заглушки большого диаметра вы получаете меньшее снижение уровня басов, чем при установке сразу двух.


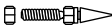


5. Прогрев и приработка

Звучание АС слегка меняется в течение начального периода прослушивания. Если колонка хранилась в холодном помещении, то для демпфирующих материалов и подвески динамиков потребуется некоторое время на восстановление механических свойств. Подвес диффузора также слегка снижает свою жесткость в течение первых часов работы. Время, которое потребуется АС для полного выхода на расчетные характеристики зависит от условия хранения и интенсивности использования. Как правило, потребуется неделя на устранения температурных эффектов и около 15 часов на достижение механическими частями желаемых характеристик.

6. Уход





Обычно корпуса колонок не требуют ничего, кроме протирки от пыли. Если же вы захотите использовать аэрозоль или другое средство для чистки, то распыляйте аэрозоль на протирочную ткань, а не на корпус, и сначала проверьте его действие на небольшом участке, т.к. некоторые чистящие вещества могут повредить поверхность. Избегайте применения жидкостей с абразивными частицами, содержащих кислоту или щелочь, а также антибактериальные вещества. Отпечатки на окрашенной поверхности можно удалить слабым мыльным раствором, не содержащим душистых веществ. Любые оставшиеся полосы или разводы удалите, распыляя подходящую жидкость для очистки стекол и осторожно вытирая ее микрофибровой салфеткой. Не используйте чистящие жидкости для динамиков и избегайте касания диффузоров, т.к. это может привести к их повреждению.

1. Vybalení

	1
	4
	4
	1

Obsah balení**Zkontrolujte, zda balení obsahuje:**

- 1 Pěnovou zášlepku
- 1 Balíček příslušenství obsahující:
 - 4 Hroty se závitem M4
 - 4 Pryžové nožičky
 - 4 Pojistné matice M4 (pro 10mm klíč)
- 1 Podstavec
- 1 Balíček příslušenství obsahující:
 - 1 Imbusový klíč
 - 4 Šrouby M6 x 35mm
 - 4 Ploché podložky
 - 4 Pružné podložky

	1
	4
	4
	4

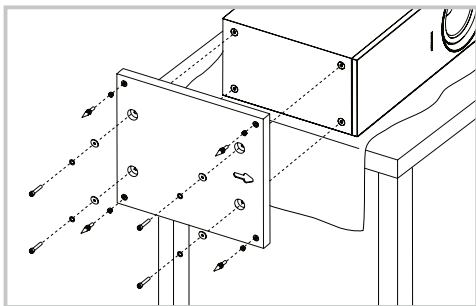
Informace k životnímu prostředí

Tento produkt je konstruován s ohledem na nejen tyto mezinárodní předpisy:

- i. RoHS (**R**estriction of **H**azardous **S**ubstances) jenž se týká omezení nebezpečných látek v elektrických a elektronických zařízeních
- ii REACH (**R**egistration, **E**valuation, **A**uthorisation and restriction of **C**hemicals), jenž se týká registrace, evaluace, autorizace a restrikce chemických látek
- iii WEEE (**W**aste **E**lectrical and **E**lectronic **E**quipment), jenž se týká likvidací elektrického a elektronického zařízení.

Více informací o tom, jak správně recyklovat nebo likvidovat tento výrobek, získáte od příslušného orgánu, který se zabývá likvidací odpadu.

2. Umístění



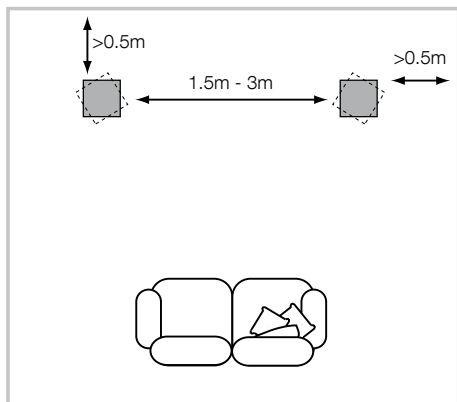
Umístění reprosoustav

Tyto reprosoustavy jsou určeny pro umístění přímo na podlahu. Je přitom velmi důležité, aby na zemi stály pevně. Je-li to tedy možné, použijte vždy dodávané hroty. Stabilitu reprosoustav lze navíc vylepšit použitím dodávané základny.

Základnu můžete připevnit během procesu vybalování. Jako návod vám mohou posloužit obrázky na horní straně kartonu. Alternativně můžete základnu montovat až ve fázi, kdy je reprosoustava zcela vybalena. Při tomto způsobu montáže použijte nějakou podpěru (například stůl), kterou pokryjete měkkou látkou. Reprosoustavu pak na podpěru položte tak, aby její spodní část přečínala. Poté přiložte na spodní stranu základnu tak, aby šipka směřovala dopředu. Základnu připevněte pomocí dodávaných šroubů a podložek. Mezi hlavu šroubu a plochou podložku vložte podložku pružnou. Šrouby pak dotáhněte dodávaným imbusovým klíčem.

Hroty jsou navrženy tak, aby pronikly případným koberec až k pevnému povrchu podlahy. Nejprve na hroty směrem ke špičce našroubujte až na doraz pojistné matice. Pak hroty zcela zašroubujte do otvorů ve spodní části ozvučnice. Pokud se reprosoustava kolébá, povyšroubujte vždy ten z hrotů který nedosedá na povrch podlahy, dokud reprosoustava nebude stát pevně. Nakonec dotáhněte pojistné matice směrem k ozvučnici. Tuto operaci je nelépe provádět tehdy, stojí-li již reprosoustava na místě, kde má být instalována.

Není-li použit koberec a máte obavu z poškození povrchu podlahy, použijte mezi podlahu a hroty nějaké kovové podložky, nebo místo hrotů použijte dodávané pryžové nožičky. Každou nožičku pak zašroubujte do stejného otvoru v základně reprosoustavy, kam byste jinak montovali hrot.



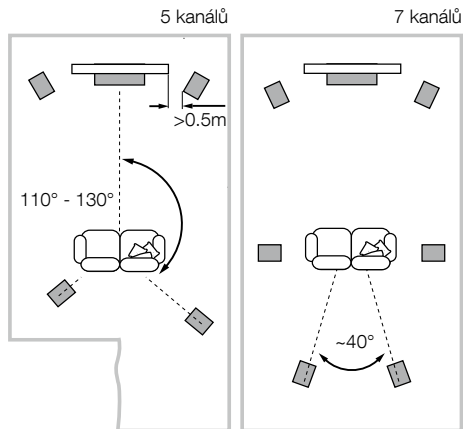
Pozice reprosoustav

Doladění pozice reprosoustav podle následujících základních pravidel obvykle pomůže docílit ještě lepší reprodukce.

Ať již se jedná o stereo či domácí kino, snažte se vždy, aby všechny reprosoustavy měly stejné akustické podmínky. Je-li například jedna reprosoustava umístěna blíže k holé zdi, zatímco druhá je blíže čalouněnému nábytku či závěsu, dojde pravděpodobně ke špatnému stereoofonnímu zobrazení.

Klasické Stereo

Pro začátek zkuste reprosoustavy umístit 1,5m až 3m od sebe tak, aby tvořily s místem poslechu rovnostranný trojúhelník. Reprosoustavy by se přitom měly nacházet zhruba 0,5m od stěny která je za nimi a minimálně 0,5m od bočních zdí (viz. obrázek nahore).



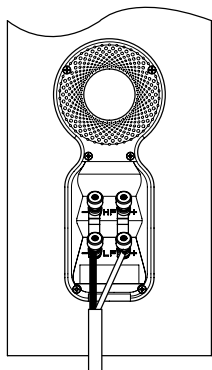
Domácí kino

Mají-li být reprosoustavy použity pro přední kanály domácího kina, lze je instalovat v sevřenějším úhlu než u dvoukanalového audia, protože prostorovost reprodukce rozšíří surroundové kanály. Umístěte reprosoustavy zhruba do vzdálenosti 0,5m od stran zobrazovače, aby šíře zvuku dobře korespondovala s rozměrem obrazu. Stejně jako při stereoofonní aplikaci, je i v tomto případě ideální, pokud se reprosoustavy nacházejí zhruba 0,5m od stěny za nimi a zhruba 0,5m od bočních zdí. Pokud potřebujete reprosoustavy instalovat blíže stěně, která je za nimi, což může způsobit zdůraznění basů, přečtěte si kapitulu Finální doladění, kde je popisováno použití pěnových zátek do basreflexu.

Rozptýl magnetického pole

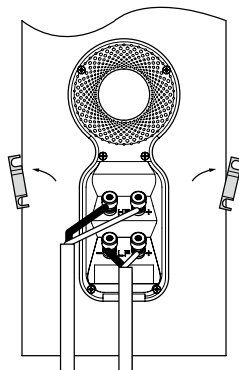
Jednotlivé reproduktory produkují stálé magnetické pole, které přesahuje rozměr reprosoustavy. Doporučujeme tedy umísťovat předměty citlivé na magnetizmus (CRT televizory a počítačové monitory s klasickou obrazovkou, počítačové disky, audio a video kazety atd.) do vzdálenosti více než 0,5m od reprosoustavy, aby se zabránilo jejich poškození magnetickým polem. LCD, OLED a plazmové zobrazovače nejsou na toto vyzářování citlivé.

3. Připojení



Veškerá zapojení provádějte pouze tehdy, jsou-li všechna zařízení v systému vypnuta.

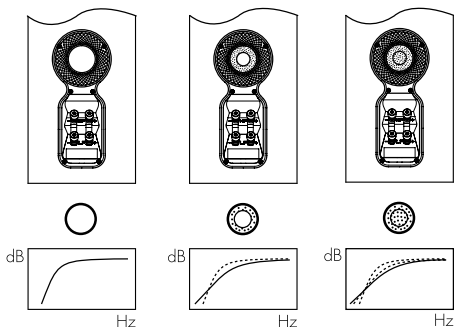
Na zadní straně reprosoustavy jsou dva páry terminálů, spojené propojkami. Při klasickém způsobu zapojení (viz vlevo nahoře), nechte propojky na svém místě (tak jak jsou při rozbalení reprosoustav) a pouze jeden z párů připojte kabelem k terminálům zesilovače. Pro bi-wire zapojení nebo bi-amp (obrázek vpravo nahoře) je třeba propojky terminálů odstranit a každý pár terminálů připojit k zesilovači samostatně. Zapojení bi-wire napomáhá lepší reprodukci slabých detailů.



Dbejte, aby kladný kontakt reprosoustavy (označený červeně a znaménkem +) byl připojen ke kladnému kontaktu zesilovače a záporný kontakt (označený černě a znaménkem-) k zápornému. Nesprávné zapojení může mít za následek špatný stereofonní obraz a úbytek basů.

Ohledně vhodného kabelu se prosím obraťte na svého prodejce.

4. Finální doladění



Před konečným doladčováním znovu zkontrolujte, zda je veškeré zapojení provedeno správně a pevně.

Posunutím reprodukcí od zdi můžete redukovat celkovou úroveň basů. Prostor za reprodukcemi také pomáhá správnému podání hloubky zvukového obrazu. Obráceně, posunete-li reprodukcí blíže ke zdi, zvýšíte úroveň basů. Pro redukcii úrovně basů bez posunování reprodukcí od zdi, můžete použít pěnové zátky do basreflexových otvorů (viz obrázek nahoře).

Nepříjemné zdůraznění basů může být také způsobeno rezonančními módy místnosti. V takovém případě zkuste měnit pozici obou reprodukcí, můžete vyzkoušet i jejich umístění podél jiné stěny či změnit místo poslechu. Vliv může mít také přemístění větších kusů nábytku.

Není-li možná jiná alternativa, můžete reprodukci basů doladit použitím dodávaných pěnových zátek do basreflexového otvoru. Zátka je rozdělena na dvě části a umožňuje postupné zatlumení basreflexu. Použitím pouze vnějšího kroužku docílíte menšího potlačení basů, než při použití celé zátky.

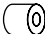



5. Rozehrávání reprosoustav

Zvuk reprosoustav se během určité doby používání mírně mění. Zvláště pokud byly reprosoustavy skladovány v chladném prostředí, nabývají tlumící závěsy a některé materiály v reproduktorech své správné mechanické vlastnosti teprve během provozu. Během prvních hodin provozu se jednotlivé části reproduktoru navzájem ideálně přizpůsobují. Délka tohoto procesu, během kterého reprosoustava postupně zvukově „vyzrává“ je velmi závislá na způsobu předchozího skladování a způsobu používání. Bývá pravidlem, že po zhruba týdnu teplotní stabilizace a asi 15 hodinách běžného provozu dosáhnou použité mechanické díly svých optimálních charakteristik.

6. Údržba





Povrch kabinetu vyžaduje obvykle pouze občasné setření prachu. Používáte-li čisticí prostředek ve spreji, nastříkejte jej napřed na utěrku, ne přímo na ozvučnici a vyzkoušejte jej napřed na malé ploše, zda nepoškozuje povrch. Vyvarujte se čistidel obsahujících abraziva, kyseliny, chemikálie či antibakteriální složky. Případné usazené nečistoty mohou být z ozvučnice odstraněny pomocí slabého mýdlového roztoku (bez parfémovacích složek), ve kterém navlhčíte utěrku. Čisticí prostředky nikdy nepoužívejte na membrány reproduktorů. Tyto membrány mohou být snadno poškozeny, proto se jich raději vůbec nedotýkejte.

1. Kicsomagolás

	1
	4
	4
	1

Ellenőrizze a dobozba csomagolt tartozékokat:

- 1 Szivacs dugó
- 1 Tartozékok csomag:
 - 4 db M4-es tűske
 - 4 db gumiláb
 - 4 db kontraanya (10mm- es külső átmérővel)
 - 1 Talp
- 1 Tartozékok csomag:
 - 1 Imbuszkulcs
 - 4 M6 x 35mm csavar
 - 4 Lapos alátét
 - 4 Rázkódásmentes alátét

	1
	4
	4
	4

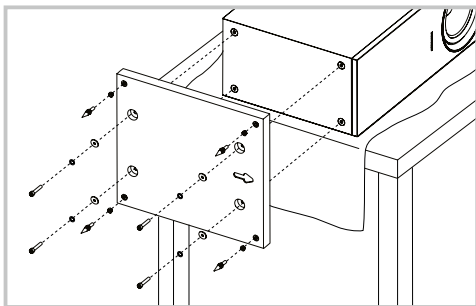
Környezetvédelmi tájékoztató

A termék megfelel a nemzetközi előírásoknak, ideértve, de nem kizárólagosan a veszélyes anyagok elektromos és elektronikus berendezésekben történő használatának korlátozását előíró

- i. RoHS irányelvet (**R**estriction of **H**azardous **S**ubstances), a vegyi anyagok regisztrálásáról, értékeléséről, engedélyezéséről és korlátozásáról szóló
- ii. REACH irányelvet (**R**egistration, **E**valuation, **A**uthorisation and restriction of **C**hemicals, valamint az elektromos és
- iii. elektronikus berendezések hulladékairól szóló WEEE előírást (**W**aste **E**lectrical and **E**lectronic **E**quipment).

A termék megfelelő leselejtezéséről vagy újrahasznosításáról további információkat a helyi hulladékkezelőtől vagy hatóságtól kérhet.

2. Elhelyezés



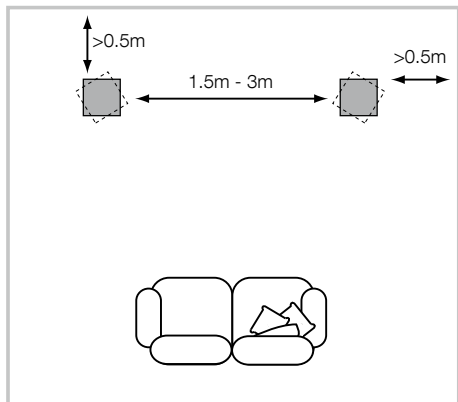
Hangsugárzó installáció

A hangfalak felállítását közvetlenül a talajra történjen. Fontos, hogy a hangfalak szilárdan álljanak a padlón, a megfelelő pozíciót – amennyiben lehetőségei megengedik – a tuskék használatával biztosítsa. A mellékelt talp segítségével növelhető a hangdoboz stabilitása.

A talp felhelyezéséhez fordítsa fejjel lefelé a hangfalakat. Ügyeljen arra, hogy a fa burkolat és a hangszórók ne sérüljenek meg. Illeszse a talpat a hangdoboz aljához, úgy hogy a talp és a hangdoboz alján lévő lyukak egy vonalba álljanak. A talpat a mellékelt csavarokkal és alátétekkel kell összeszerelni. Illeszse be a rázkódásmentes alátétet a csavar feje és a lapos alátét közé. Húzza meg a csavarokat a tartozék imbuszkulcs segítségével.

A tuskék kialakítása megfelel mind a szőnyegen, mind a padlón való alkalmazáshoz. Először is tekerje vissza a kontraanyákat a túske menetes részén. Tekerje be teljesen a tuskéket a talpon található menetes nyílásba, majd állítsa fel a hangsugárzót. Amennyiben billegne a talajon, tekerje kifelé azt a két tuskét, amelyek nem érintkeznek a talajjal, míg a billegés meg nem szűnik. Végül a kontraanyákat tekerje vissza a tuskén, egészen a hangdoboz aljáig.

Ha a helyiség nem szőnyeg burkolatú és szeretné elkerülni a padló megkarcolását, helyezzen a tuskék alá fém alátétet (pl. pénzérmét), vagy használja a mellékelt gumilábakat. A gumilábak használatánál a szintezés ugyanúgy történik, mint a tuskék esetében.



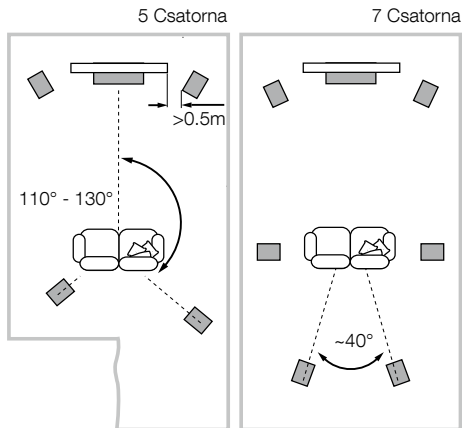
A hangszugárzó pozicionálása

A hangszugárzó felállítását követően tudja a pontos pozicionálást elvégezni, a legjobb hangminőség elérése érdekében.

Mind házimozsi, mind sztereó alkalmazás esetén törekedjen arra, hogy az egyes hangszugárzók körül az akusztikai környezet lehetőleg egyforma legyen. Például, ha az egyik hangszugárzó közvetlenül üres, csupasz fal mellett áll, míg a másik bútorok vagy függönyök mellett, a hangminőség illetve a sztereó kép zavaros lehet.

Hagyományos sztereó rendszerek

Alapesetben a hangszugárzókat egymástól 1,5-3 méter távolságra helyezze el, melyek a hallgatási pozícióval egyenlő szárú háromszöget zárjanak be. A hangszugárzókat a hátsó és az oldalfalaktól legalább 0,5 méter távolságra kell elhelyezni (fenti kép).



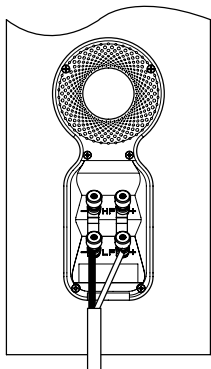
Multicsatornás rendszerek

Ha a hangdobozokat egy házimozsi rendszer első sugárzóiként használjuk, rakjuk egymáshoz közelebb őket, mint a hagyományos kétszatornás alkalmazásnál. Ez azért szükséges, mert a hátsó csatornák kellőképpen kiszélesítik a hangképet. A hangdobozokat a képernyő oldalaihoz képest 0,5 méteres távolságra helyezzük el, ezáltal is elősegítve a hangkép jobb fókuszáltságát a képernyőn történő eseményekre. Ahogy egy hagyományos sztereó elhelyezésnél, itt is ügyeljünk arra, hogy a hangdobozok távolsága az oldalfalaktól legalább 0,5 méter legyen. Ha a hangszugárzók a helyükre kerültek, előfordulhat, hogy a közeli hát és oldalfalak felerősítik a mélyhangokat. Olvassa el a finomhangolás fejezetet, hogy megismerje a szivacs dugók használatát.

Szórt mágneses tér

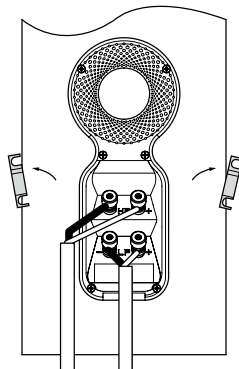
A hangszugárzóba épített hangszórók által keltett mágneses tér túlnyúlhat a hangdoboz oldalain is. Javasoljuk, hogy a mágneses térre érzékeny eszközöket (képcsöves televíziók és monitorok, audio és video kazetták, bankkártyák stb.) legalább 0,5 méter távolságra helyezze a hangszugárzótól. Az LCD, OLED és plazma képmegjelenítőkre a mágneses tér nincs hatással.

3. Csatlakoztatások



Minden csatlakoztatást a készülékek kikapcsolt állapotában végezzen.

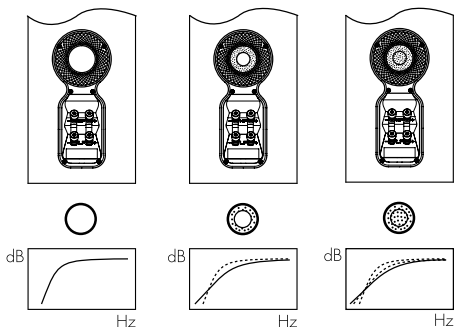
Két pár terminál található a hangsugárzón, ezáltal kettős kábelezésre is alkalmas. Hagyományos bekötésnél (fent balra) a csatlakozókat összekötő lemezeket a helyükön maradnak (gyári állapot) és egy pár aljzat csatlakozik az erősítőhöz. Kettős kábelezés esetén (fent jobbra) az összekötőlemezeket el kell távolítani és a terminálokat páronként kell függetlenül az erősítőhöz csatlakoztatni. A kettős kábelezés jobb felbontást és jobb alacsony frekvenciás hangzást biztosít.



Bizonyosodjon meg arról, hogy a hangsugárzó pozitív terminálja (+ jellel jelölt és piros színű) az erősítő pozitív kimenetéhez csatlakozik, valamint a hangsugárzó negatív terminálja (- jellel jelölt és fekete színű) az erősítő negatív pontjához csatlakozik. Fordított csatlakozás esetén a hangkép zavaros és a mélyhang hiányos lesz. A zörgések elkerülésének érdekében mindig szorosan húzza meg a csatlakozókat.

Hangsugárzó kábel kiválasztásához kérje szakkereskedője segítségét.

4. Finomhangolás



A finomhangolás megkezdése előtt győződjön meg arról, hogy minden csatlakozás megfelelő és biztonságos.

Amennyiben a hangdobozokat a falaktól távolabbra helyezzük el, a mélyhangok hangereje csökkenhet. A hangdoboz mögötti tér a hangkép mélységét növeli. Általánosságban, ha a hangdobozokat a falhoz közel helyezzük a mélyfrekvenciák hangerejének erősödésével számolhatunk. Ha nem tudja vagy szeretné a fal mellől elvenni a hangdobozokat, de szeretné csökkenteni a mélyhangok hangerejét, akkor a szivacs dugót, ha a mélyhangok keménységét csökkentené, akkor használja a mellékelt szivacsgyűrűt (fenti ábra).

Előfordulhat, hogy a mélyfrekvenciás átvitelben egyenetlenséget tapasztal, ezt a meghallgató helyiség különböző sajátrezonanciái okozhatják. Már a hangsugárzó pozíciójának, vagy a hallgatási pont helyzetének legkisebb változtatása is jelentős hatással lehet ezekre a rezonanciákra illetve a kapott hangra. Amennyiben nem elégedett az eredménnyel próbálja megváltoztatni a hallgatási pozícióját vagy a hangsugárzókat áthelyezni egy másik fal mellé

Ha nincs más alternatíva, beállíthatja a mélyfrekvenciás átvitelt a mellékelt kétrészes szivacs dugó segítségével. A dugó két részre szedhető, a külső nagyobb átmérőjű szivacsgyűrűvel finomhangolást végezhet vagy a teljes dugóval izolációt. Csak a külső gyűrű kevesebb mélyhang csillapítást biztosít, mint a teljes dugó.


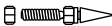

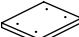
5. Bejáratás

A hangsugárzók hangminősége a kezdeti használat során jelentősen változik. Amennyiben a hangsugárzót hideg helyen tárolták, a mechanikai alkatrészeknek, illetve a hangszóróban lévő csillapító folyadéknak időre van szüksége, hogy a megfelelő mechanikai jellemzőit visszanyerje. Ez az időszükséglet függ az üzembe helyezést megelőző tárolási feltételektől, és a használat módjától. Általában a hőmérsékleti jellemzők maximum egy hét alatt stabilizálódnak, a mechanikai jellemzők kb. 15 óra átlagos használat után érik el optimális értékeiket.

6. Ápolás





A termék felülete időnként portalanítást igényel. Amennyiben aeroszolos vagy más tisztítószerrel kíván erre használni, először óvatosan távolítsa el az előlapot a termékről. A tisztítószerrel a tisztításra használt ruhára tegye, ne fújja közvetlenül a hangfalra. Először egy kisebb, nem látható területen próbálja ki a tisztítószerrel, megbizonyosodva, hogy nem okoz sérülést. Kerülje a súrolószerek, bármilyen savas vagy lúgos, illetve antibakteriális hatóanyagok használatát. Ne használjon semmilyen tisztítószerrel a hangszórók tisztításához. Az előlap tisztítása textilkefével történjen, miután eltávolította a dobozról a rácsot. Gyekezzon elkerülni a mozgó alkatrészeket, különösen a magas hangszórók megérintését, mert az kárt okozhat.

1. Rozpakowanie

	1
	4
	4
	1

Zawartość opakowania**Sprawdź czy w pudełku znajdują się:**

- 1x zatyczka z pianki
- 1x Pakiet akcesoriów zawierający:
 - 4x podkładki gumowe
 - 4x kołce
 - 4x nakrętki (10mm)
- 1x Cokół
- 1x Pakiet akcesoriów zawierający:
 - 1x klucz (imbusowy)
 - 4x śruby M6 x 35mm
 - 4x podkładki
 - 4x podkładki przeciwwstrząsowe

	1
	4
	4
	4

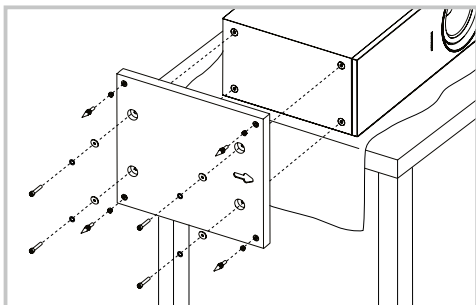
Ochrona środowiska

Wszystkie produkty firmy Bowers & Wilkins są zaprojektowane zgodnie z:

- i. międzynarodową dyrektywą dotyczącą substancji niebezpiecznych (RoHS) w urządzeniach elektrycznych i elektronicznych
- ii. międzynarodową dyrektywą dotyczącą substancji chemicznych REACH
- iii. dyrektywą dotyczącą likwidacji sprzętu elektrycznego i elektronicznego (WEEE).

Skontaktuj się z regionalną władzą do spraw likwidacji odpadów w celu uzyskania szczegółów.

2. Pozycjonowanie



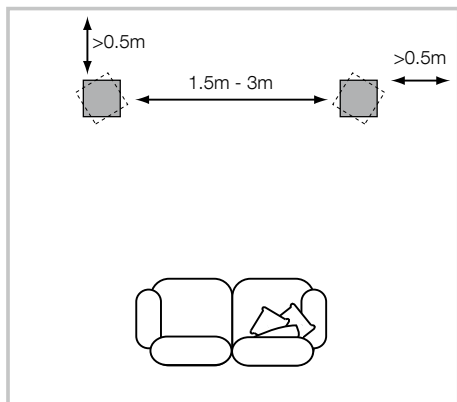
Instalacja głośnika

Głośniki są przeznaczone do postawienia tylko i wyłącznie na podłodze. Ważne jest, aby upewnić się, że kolumny stoją stabilnie na podłodze używając w tym celu dołączonych do kolumn kołców jeśli to tylko możliwe. Aby dodatkowo poprawić stabilność, zamontuj do kolumn cokół.

Możesz zamontować cokół podczas rozpakowywania produktu stosując się do instrukcji obrazkowych na górnej pokrywie kartonu. Możesz również zamontować cokół po rozpakowaniu, kładąc kolumnę na stabilnej powierzchni np. stole pokrytym uprzednio jakimś materiałem. Kolumnę trzeba położyć na boku tak, aby dół kolumny wystawał poza powierzchnię stołu. Przyłóż cokół do otworów montażowych na spodzie kolumny upewniając się, że strzałka na spodzie cokołu skierowana jest w stronę przodu kolumny. Przykręć cokół za pomocą dołączonych śrub i podkładek. Umieść podkładki antywstrząsowe między płaskimi podkładkami a główkami śrub. Dokręć śruby za pomocą dołączonego klucza imbusowego.

Kolce przeznaczone są do zagłębienia się w dywan i dzięki temu uzyskania stabilności kolumny na podłodze. Najpierw wkręć nakładki na kolce tak, aby swobodnie opadały na dywan podczas gdy kolce stoją stabilnie na powierzchni. Dokręć kolce do odpowiednich otworów w cokole. Jeśli kolumna chwieje się po postawieniu na podłodze odkręć dwa kolce, które nie stoją stabilnie na podłożu aż do momentu gdy kolumna nie będzie się już chwiać. Dokręć nakładki na kolce do końca. Być może wygodniej będzie dokręcić kolce już po zakończeniu procesu ustawiania kolumny w celu optymalizacji dźwięku.

Jeśli nie masz dywanu i nie chcesz, aby kolce porysowały podłogę użyj jakiegoś kawałka metalu wsadzając go pomiędzy kolce a podłogę (możesz do tego celu użyć np. monety) lub zamiast kołców użyj dołączonych do kolumn gumowych nóżek. Zamontuj gumowe nóżki i wy poziomuj kolumnę w ten sam sposób jak w przypadku



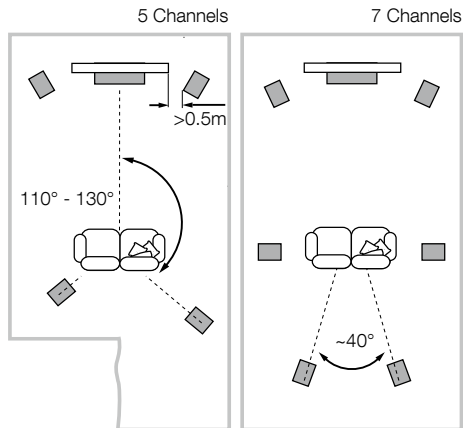
Ustawienie głośnika

Dopasowanie pozycji głośnika prawdopodobnie poprawi jakość odbioru dźwięku i zwykle warto to zrobić.

Zarówno w systemach stereo jak i kina domowego postaraj się, aby bezpośrednie otoczenie każdego głośnika było podobne akustycznie. Na przykład jeśli jeden z głośników przylega do ściany a inny do miękkich zasłon lub mebli jakość dźwięku będzie prawdopodobnie niższa.

Systemy stereo

Na początek głośniki powinny zostać ustawione w odległości od 1,5m do 3m od siebie w rogach trójkąta równobocznego, którego trzeci wierzchołek będzie stanowić miejsce odsłuchu. Głośniki powinny znajdować się w odległości ok. 0,5m od ściany (zarówno za głośnikami jak i po bokach, patrz rysunek powyżej).



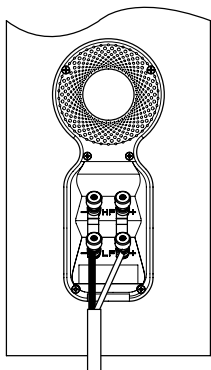
Systemy kina domowego

Jeśli głośniki mają być użyte jako głośniki frontowe w zestawie kina domowego powinny znajdować się bliżej siebie w porównaniu do zestawu stereo, ponieważ zestawy surround rozszerzają pole dźwięku. Ustawienie głośników w odległości ok. 0,5m od boków telewizora pozwoli również na synchronizację dźwięku z obrazem. Tak jak w przypadku zestawów stereo głośniki powinny znajdować się w odległości przynajmniej 0,5m od ścian. Jeśli wolisz ustawić głośniki bliżej ściany sprawdź sekcję Dostrajanie w niniejszej instrukcji, aby dowiedzieć się więcej na temat użycia piankowych zatyczek.

Wytwarzane pole magnetyczne

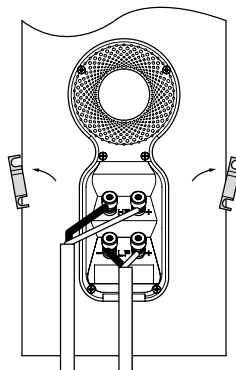
Głośniki wytwarzają pole magnetyczne działające również poza obudową kolumn. Zalecamy, aby urządzenia wrażliwe na takie pole (jak ekrany CRT, ekrany komputerów, dyski komputerowe, taśmy audio i video itp.) były trzymane przynajmniej 0,5 metra od głośników. Ekrany plazmowe oraz LCD i OLED nie są wrażliwe na takie pole.

3. Podłączenia



Wszystkie podłączenia powinny być dokonywane przy wyłączonych urządzeniach audio.

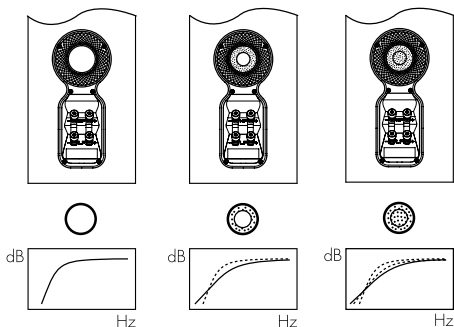
Na tylnym panelu głośnika znajdują się 2 połączone ze sobą pary gniazd głośnikowych. W przypadku konwencjonalnego podłączenia (rysunek powyżej z lewej strony) połączenia między parami gniazd powinny zostać na swoim miejscu, a ze wzmacniaczem powinna zostać połączona tylko jedna para gniazd. W przypadku podłączeń typu bi-wire lub bi-amplification (rysunek powyżej z prawej strony) połączenia między parami gniazd powinny zostać usunięte a każda para gniazd połączona ze wzmacniaczem osobno. Bi-wiring może zwiększyć przejrzystość detali dźwiękowych.



Upewnij się, że gniazda połączeniowe oznaczone +, z czerwonym obramowaniem zostały połączone z gniazdami o dodatniej polaryzacji na wzmacniaczu a gniazda oznaczone -, z czarnym obramowaniem z gniazdami o ujemnej polaryzacji na wzmacniaczu. Nieprawidłowe podłączenie będzie skutkowało pogorszeniem jakości dźwięku i utratą niskich tonów.

Poproś sprzedawcę o poradę wybierając przewody głośnikowe do kolumn.

4. Dostrajanie



Przed dostrajaniem upewnij się, że wszystkie podłączenia są wykonane prawidłowo.

Odsunięcie kolumn od ściany zredukuje ogólny poziom niskich tonów. Przestrzeń za kolumnami pozwoli również na wytworzenie odpowiedniej głębi dźwięku. Przyniesienie kolumn bliżej ściany spowoduje efekt odwrotny: wzrośnie poziom basu. Jeśli chcesz zmniejszyć poziom niskich dźwięków bez konieczności odsuwania kolumn od ściany do portów basowych kolumn wetknij piankowe zatyczki lub dla mniejszej redukcji basów zewnętrzne pierścienie zatyczek. Montaż gąbek i pierścieni zilustrowano na powyższym rysunku.

Jeśli niskie tony wydają się nierówne z częstotliwością dźwięku zwykle spowodowane jest to rezonansem wynikającym z ukształtowania pomieszczenia. Nawet minimalne zmiany ustawienia kolumn lub zmiany miejsca odsłuchu mogą mieć dobry wpływ na te zakłócenia. Spróbuj ustawić kolumny w różnych miejscach. Zmiana położenia większych mebli również może przynieść efekt.

Jeśli nie masz możliwości dokonania powyższych zmian można zmienić poziom niskich tonów używając dołączonych do kolumn zatyczek z pianki. Zatyczki składają się z dwóch części, które umożliwiają zmianę niskich tonów w różnym stopniu; można użyć tylko zewnętrznych pierścieni albo obu elementów zatyczki razem. Używając tylko zewnętrznych pierścieni zatyczek obniżymy poziom niskich tonów w stopniu mniejszym niż używając pełnych zatyczek.


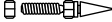


5. Początkowy okres eksploatacji

Działanie kolumn może delikatnie zmieniać się w początkowym okresie użytkowania. Jeśli kolumny były przechowywane w chłodnym miejscu, niektóre komponenty będą potrzebowały czasu, aby nabrać odpowiednich właściwości mechanicznych. Zawieszenie głośników również delikatnie się zmieni w ciągu pierwszych godzin użytkowania. Czas, jakiego potrzebuje kolumna na osiągnięcie optimum swoich możliwości będzie się różnił w zależności od sposobu przechowywania kolumn przed zakupem i sposobie użytkowania. Zwykle trwa to około tygodnia, aby ustabilizowały się czynniki temperaturowe i 15 godzin użytkowania, aby części mechaniczne osiągnęły swoje charakterystyki.

6. Pielęgnacja





Obudowa kolumn zazwyczaj wymaga tylko usunięcia kurzu. Jeśli chcesz użyć aerozolu lub innego środka czyszczącego, rozpyl aerozol na szmatkę, a nie bezpośrednio na produkt. Najpierw sprawdź na małej powierzchni, czy środek czyszczący nie niszczy podłoża. Unikaj materiałów szorstkich i takich, które zawierają kwas, są zasadowe lub antybakteryjne. Plamy na pomalowanej powierzchni można usunąć za pomocą rozcieńczonego, nieperfumowanego mydła. Smugi można usunąć za pomocą środków do czyszczenia szyb i delikatnie przecierając szmatką. Nie stosuj środków czyszczących na głośniki. Unikaj dotykania głośników.

1. Ambalajından çıkarma

	1
	4
	4
	1

Karton Kutu İçeriği**Kutuda aşağıdakiler yer almaktadır:**

- 1 adet sünger tıkaç
- 1 adet aksesuar paketi
 - 4 adet kauçuk ayak
 - 4 adet M6 sivri uçlu ayak
 - 4 adet kilit somunu (10 mm'lik daireler arası)
- 1 adet kaide
- 1 adet aksesuar paketi
 - 1 adet Allen anahtar
 - 4 adet M6x 35 mm'lik vida
 - 4 adet düz rondela
 - 4 adet sarsıntıya dayanıklı rondela

	1
	4
	4
	4

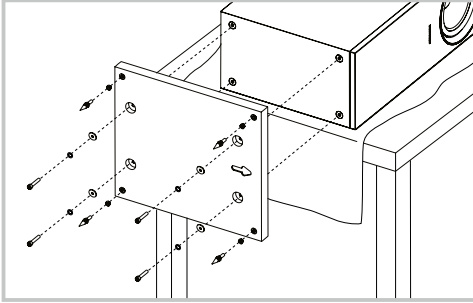
Çevresel Bilgi

Bu ürün, aşağıdakiler dahil olmak üzere, ama bunlarla sınırlı kalmayacak şekilde uluslararası yönetmeliklere uygundur:

- i. Elektrikli ve elektronik donanımda tehlikeli maddelerin kısıtlanması (RoHS),
- ii. Kimyasal maddelerin kayıt, değerlendirme, yetkilendirme ve kısıtlanması (REACH)
- iii. Atık haldeki elektrikli ve elektronik donanımın imha edilmesi (WEEE).

Bu ürünün uygun şekilde nasıl geri dönüşüm işlemine tabi tutulacağı veya imha edileceği konusunda bilgi almak için yerel atık imha yetkilinize danışınız.

2. Konumlandırma



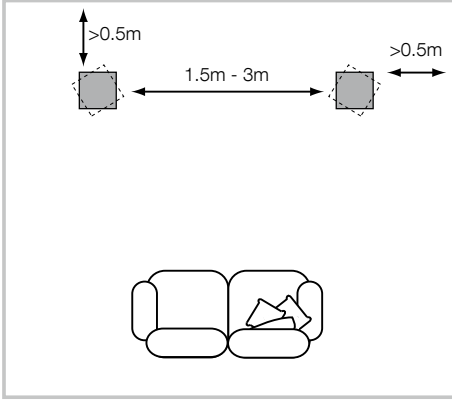
Hoparlör Kurulumu

Hoparlörler yalnızca zemine monte edilmek üzere tasarlanmıştır. Hoparlörlerin mümkün olduğunca temin edilen sivri uçlu ayakların yardımıyla zemin üzerinde sıkıca durduğundan emin olun. Buna ek olarak, uygun stabilite sağlamak için kaideyi yerleştirin.

Açma işlemi sırasında kartonun üst kanadındaki diyagramları izleyerek kaideyi takabilirsiniz. Alternatif olarak, masa gibi uygun bir destek zeminini biz bezle kaplayıp kabinin tabanı zeminin üstüne gelecek hoparlörü üstüne koyarak ürün tamamen ambalajından çıkardıktan sonra da kaideyi takabilirsiniz. Kaideyi kabinin altındaki bağlantı delikleriyle hizalayın ve kaidenin altındaki okun ön tarafa gelmesini sağlayın. Temin edilen vidalar ve rondelalar yardımıyla kaideyi emniyetli hale getirin. Sarsıntıya dayanıklı rondelaları düz rondelalar ile vida başlarının arasında yerleştirin. Temin edilen Allen anahtarını kullanarak vidaları sıkıştırın.

Sivri uçlu ayaklar, halıyı delecek ve zemin yüzeyine yaslanacak şekilde tasarlanmıştır. Öncelikle, sivri uçlu ayaklar zemine yaslanırken somunlar hemen halının üstünde yükselecek şekilde kilit somunlarını sivri uçlu ayakların üstüne vidalayın. Sivri uçlu ayakları kaideye dişi insörtlere tam olarak vidalayın. Zemine yerleştirildikten sonra kabin sallanırsa, kabin sallanmadan sabit durana kadar zemine temas etmeyen sivri uçlu ayakların vidalarını gevşetin. Son olarak, somunları kabine kilitleyin. Hoparlör konumlandırması optimize edildikten sonra sivri uçlu ayakları takmak ve ayarlamak daha uygun olabilir.

Eğer zeminde halı yoksa ve zemin yüzeyini çizmekten kaçınıyorsanız, sivri uçlu ayaklar ile zemin arasında ya koruyucu metal bir disk kullanın (örneğin metal para) ya da temin edilen kauçuk ayakları kullanabilirsiniz. Kauçuğu yerleştirin ve kabinin seviyesini sivri uçlu ayaklar ile aynı şekilde ayarlayın.



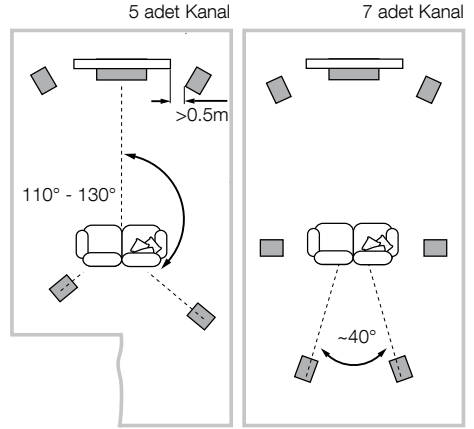
Hoparlör Konumlandırma

İlk kurulumdan sonra hoparlörün ayarlanması, muhtemelen ses kalitesini artıracak olup genellikle faydalıdır.

Müzik seti veya ev sinema sistemi kurulumunda, her bir hoparlörün yakın çevresinin benzer akustik özelliklere sahip olmasına özen gösterin. Örneğin, hoparlörlerden bir tanesi, çıplak duvara bitişik durumdayken diğeri mefruşata veya perdelerle bitişik durumdaysa, hem genel ses kalitesinin hem de stereo imajının tehlikeye girmesi muhtemeldir.

Konvansiyonel Stereo Sistemler

Öncelikle hoparlörler, üçüncü köşedeki dinleme alanı tarafından tamamlanan eşkenar üçgenin iki köşesinde 1,5 metre ile 3 metre aralığında konumlandırılmalıdır. Hoparlör, arkadaki duvardan yaklaşık 0,5 metre kadar uzakta olmalı ve yan duvarlardan da en az 0,5 metre uzakta olmalıdır.



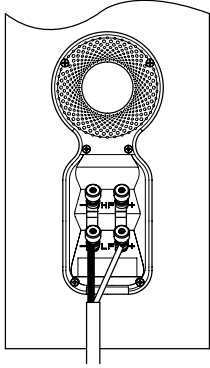
Ev Sineması Sistemi

Eğer hoparlörler, ev sineması sisteminde ön kanallar için kullanılacaksa, 2 kanallı ses için gerekli olandan daha yakın bir yere yerleştirilmelidir, çünkü surround kanallar imaj genişletme eğilimindedir. Ayrıca, hoparlörleri yaklaşık olarak 0,5 metre kadar ekranın yanına yerleştirmek, ses imajının görsel imaj ile aynı ölçekte olmasına yardımcı olur. Konvansiyonel stereo konumlandırma olduğu gibi hoparlörler ideal olarak yan duvarlardan en az 0,5 metre uzakta olmalıdır. Eğer hoparlörünüzü arkasındaki duvara yaslamak isterseniz ve bu konumda bas ses aşırı vurgulanırsa, köpük tıplarını kullanmak için bilgi edinmek üzere bu kılavuzda yer alan "İnce Ayar" bölümünü inceleyin.

Kaçak manyetik alanlar

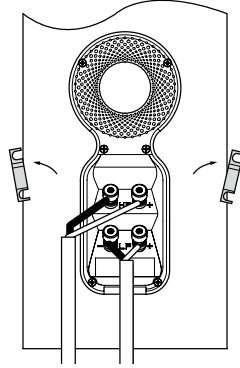
Hoparlörün sürücü üniteleri, kabin sınırlarının ötesine taşın kaçak manyetik alanlar yaratabilir. Manyetik hassasiyeti olan eşyalarınızı (CRT televizyon ve bilgisayar ekranları, bilgisayar diskleri, ses ve video kasetleri, kredi kartları ve benzeri eşyalar) hoparlörün en az 0,5 metre uzağında bulundurmanızı tavsiye ederiz. LCD, OLED ve plazma ekranlar, manyetik alanlardan etkilenmezler.

3. Bağlantılar



Tüm bağlantılar, ses donanımı kapalı konumdayken yapılmalıdır.

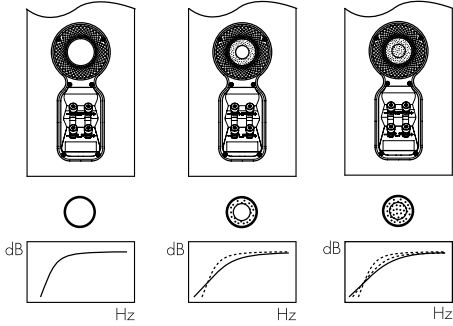
Hoparlörün arkasında bağlantılı 2 çift terminal bulunmaktadır. Konvansiyonel bağlantı için (sol üstte) terminal bağlantıları olduğu gibi bırakılmalıdır (teslimattaki gibi) ve sadece bir çift terminal amplifikatöre bağlanmalıdır. İki-kablolu veya iki-amplifikasyonlu bağlantı için (sağ üstte) terminal bağlantıları çıkarılmalı ve her iki terminal çifti de amplifikatöre veya bağımsız olarak amplifikatörlere bağlanmalıdır. İki-kablolu bağlantı, alçak seviyedeki ayrıntıların çözünürlüğünü artırabilir.



Hoparlördeki pozitif terminallerin (+ işaretli kırmızı renkli) amplifikatördeki pozitif çıkış terminallerine ve negatif terminallerin (- işaretli siyah renkli) amplifikatördeki negatif çıkış terminallerine bağlı olduğundan emin olun. Yanlış bağlantı durumu, kötü imgelemeye ve bas seslerde kayıp yaşanmasına yol açabilir.

Kullanacağınız hoparlör kablosunu seçerken satıcınıza danışın.

4. İnce Ayar



İnce ayar yapmadan önce, kurulumdaki tüm bağlantıların doğru yapıldığından ve bunların emniyetli olduğundan emin olun.

Hoparlörleri duvardan uzaklaştırmak, genellikle bas ses seviyesini düşürecektir. Hoparlörlerin arkasındaki boşluk, ayrıca işitsel derinlik etkisi yaratmaya yardımcı olacaktır. Tam tersine hoparlörleri duvara yaklaştırmak, bas ses seviyesini arttıracaktır. Eğer hoparlörleri duvardan uzaklaştırmaksızın bas ses seviyesini azaltmak isterseniz, köpük tıpaları yerleştirin veya daha düşük seviyede bas sesi azaltmak için giriş tüplerinde yer alan köpük halkaları yerleştirin.

Eğer bas ses frekans ile eşit değil gibi duruyorsa, bu durum muhtemelen dinleme odanızın akustik özelliklerinin bir sonucudur. Hoparlörlerin konumunda veya dinleme pozisyonundaki ufak değişiklikler bile özellikle düşük frekanslarda sonik performans üzerinde belirgin bir etkiye sahiptir. Eğer mümkünse dinleme pozisyonunuzu değiştirin veya hoparlörlerinizi başka bir duvarın yanına yerleştirin.

Eğer hiçbir alternatif mevcut değilse, temin edilmiş köpük tıpalarnı kullanarak hoparlörünüzün düşük frekans performansını ayarlayabilirsiniz. Tıpalarnı iki parçalı olup bir dereceye kadar ince ayar yapmayı sağlar, dıştaki büyük çaplı parça izolasyon amaçlı kullanılabileceği gibi iki parçayı birlikte de kullanabilirsiniz. Dıştaki büyük çaplı köpüğün tek başına kullanımı, komple tıpa montajına göre bas seste daha düşük seviyede azalma sağlayacaktır.





5. Alıştırma

Hoparlörün performansı, ilk kurulum sırasında aldatıcı şekilde değişiklik gösterebilir. Eğer hoparlör soğuk bir ortamda muhafaza edildiye, sürücü ünitelerinin sönmümlenme bileşenlerinin ve süspansiyon malzemelerinin mekanik özelliklerini tam olarak geri kazanması için biraz zaman geçmesi gerekecektir. Ayrıca, sürücü ünitesi süspansiyonu, ilk kullanım saatleri boyunca gevşeyecektir. Hoparlörün istenilen performansına ulaştırılması için geçecek süre, önceki depolama koşullarına ve nasıl kullanıldığına bağlı olarak değişkenlik gösterir. Kural olarak, sıcaklık etkilerinin stabilize olması için bir hafta zaman tanıyın ve mekanik parçaların istenilen tasarım özelliklerine erişmesi için ortalama 15 saatlik bir kullanım süresinin geçmesini bekleyin.

6. Sonraki Bakım

Kabin yüzeyinin bakımını yapmak için çoğunlukla sadece tozunu almak yeterlidir. Eğer aerosol veya başka bir temizlik maddesi kullanmak isterseniz, temizlik maddesini bezin üstüne dökün, direkt olarak ürünün üstüne dökmeyin ve bazı temizlik malzemelerinin bazı yüzeylere zarar verebileceğini göz önüne alarak önce küçük bir alan üzerinde deneme yapın. Aşındırıcı veya asit, alkali ya da antibakteriyel maddeler içeren malzemeler kullanmaktan kaçının. Boya yüzeyindeki izler, seyreltilmiş parfümsüz sabun solüsyonu ile silinebilir. Kalan çizgi izlerini, tescilli bir cam temizleyici püskürtüp mikrofiber bezle hafifçe silerek giderebilirsiniz. Sürücü ünitelerinde kesinlikle temizlik malzemeleri kullanmayın ve zarara yol açabileceği için ünitelere dokunmaktan kaçının.





1. 开箱

	1
	4
	4
	1

包装箱内的物品

检查纸箱内的下列物品:

- 1 个泡棉栓塞
- 1 个附件包, 包括:
 - 4 个橡胶脚垫
 - 4 个M6钉脚
 - 4 个防松螺母 (对边为10毫米)
- 1 个底座
- 1 个附件包, 包括:
 - 1 个艾伦内六角扳钳
 - 4 个M6 35毫米螺钉
 - 4 个平垫圈
 - 4 个防振垫圈

	1
	4
	4
	4

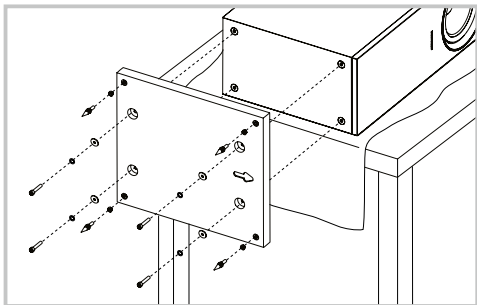
环保信息

本产品符合国际指令, 包括但不限于:

- i. 有关电机和电子设备的有害物质禁用指令 (RoHS)
- ii. 化学品注册、评估、许可和限制 (REACH)
- iii. 废电机电子设备指令处理规定 (WEEE)

请咨询阁下当地的废弃物处理局, 了解有关如何正确回收或处理本产品的指导。

2. 摆放位置



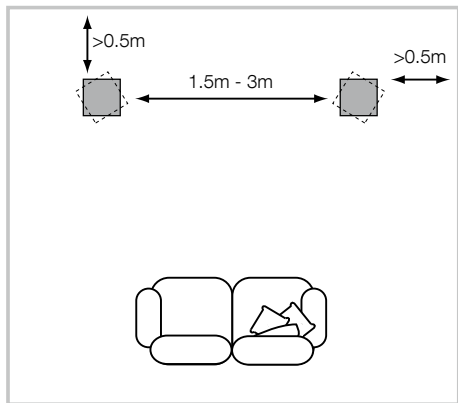
扬声器的安装

此扬声器的安装为座地式。尽可能使用附带的钉脚把它固定在地板上。此外，为了更稳固，请安装底座。

可于拆箱的过程中安装底座，请遵循纸箱顶部纸瓣上的图表。或可于产品完全拆箱后才安装底座，把扬声器摆放在铺上布块的适当支撑上(如桌子)，扬声器的侧面躺在在支撑上，而底部悬垂。固定底座于箱体底部的连接孔，确保底座底部的箭头指示向前。使用附带的螺钉及垫圈来稳固地座。安装防振垫圈于平垫圈与螺钉头之间。使用附带的艾伦内六角扳钳把螺钉拧紧。

钉脚须穿过地毯，竖立在地板表面。首先把螺母旋扭到钉脚上，直到当钉脚安放在地面时，螺母刚好浮在地毯表面。然后将钉脚全部拧入底座的螺纹圈中。如果箱体在地板上摇晃，松开未接触到地板的钉脚，直到箱体稳当放置，不再摇晃。最后把螺母向箱体方向锁紧。先选择好扬声器的定位才安置及调整钉脚会较为便利。

如果没有地毯，而希望避免刮花地板表面，可在钉脚和地板之间用上保护性的金属盘（比如说硬币），或是使用附带的橡胶脚垫。安装橡胶脚垫及平衡箱体的方法如安装钉脚一样。



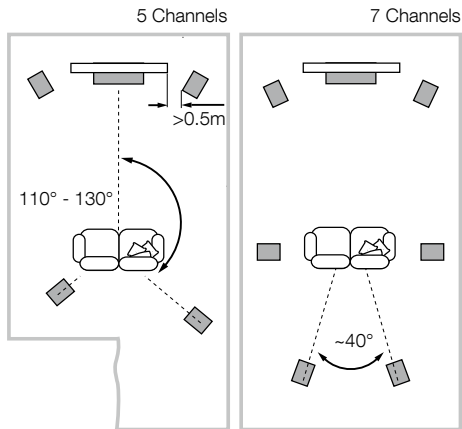
扬声器的定位

初始安装后的扬声器的摆位将进一步提高声音的质量，因此值得这样做。

无论是在立体声还是家庭影院的安装中，要设法确保每个紧贴扬声器的物件在声音特色上类似。例如，如果一个扬声器的周围是无遮蔽的墙，而另一个扬声器的周围是软性陈设品或窗帘，则整个声音质量和立体结像则可能受到影响。

传统立体声系统

首先，扬声器应该定位在一个等边三角形的两个角的1.5至3米之间，而等边三角形的第三角应该在视听区。扬声器应该离后墙约0.5米，而离任何一侧墙至少约0.5米（见上图）。



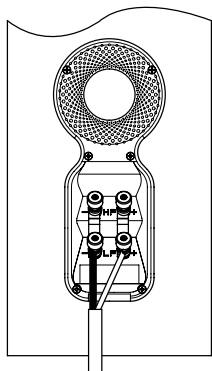
家庭影院系统

如果扬声器被用于家庭影院中的前声道，他们应该放置在较双声道相互更近的位置，因为环绕声道趋向于将结像加宽。将扬声器放置在离屏幕约0.5米之内也有助于使声音结像与视觉影像成比例。犹如传统的立体声定位一样，扬声器应该处于离任何一侧墙至少0.5米的理想位置。如果希望将扬声器背着后墙放置，而该位置导致低音过强，请参见本手册微调部分使用泡沫栓塞的信息。

杂散磁场

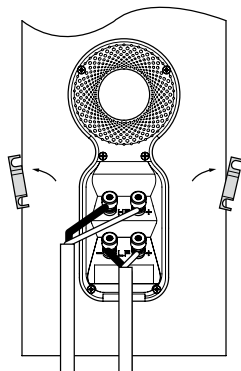
扬声器的驱动系统可产生延伸到音箱周边以外地方的杂散磁场。我们建议你将对磁场敏感的物体（如传统的显像管电视机和电脑屏幕、电脑磁盘、录音及录像带、信用卡等）放置离它至少0.5米的地方。LCD、OLED及等离子电视不会受这种磁场所影响。

3. 连接



所有的连接应当在设备关闭时进行。

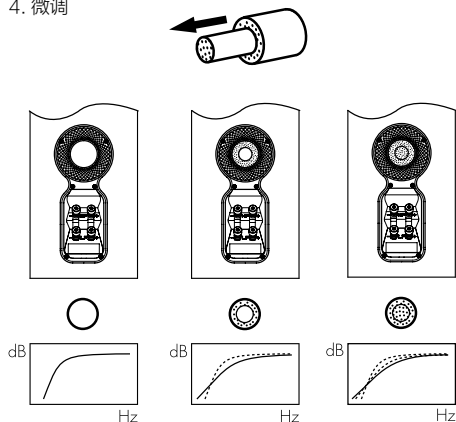
扬声器的背部有两对连着的端子。在传统的连接中(见左上图)，接线柱连接应该处于原来的位置(如交付时那样)，让一对端子与放大器相连。在双线连接或双功放的情况(见右上图)，接线柱连接应该除去，且每对端子须与放大器独立相连接。双线能够提高低频率细节的分辨率。



确保扬声器上的正极端(标有+和红色)与放大器的正极输出端相连接，而扬声器上的负极端(标有-和黑色)与放大器的负极输出端相连接。不正确的连接会导致结像效果差和低音失真。

在选择扬声器接线时可向你的零售商咨询。

4. 微调



在微调前，确保安装中的所有连接正确且安全。

一般来说，把扬声器移离墙壁可降低低音。扬声器后的空间会帮助创造出一种听觉上的深度感。相反，把扬声器移近墙壁则可增加低音。如果你希望减少低音而不把扬声器移离墙壁，可使用泡沫塞或泡棉环，来达到减低强烈的低音（见上图）。

如果低音的频率不均衡，这很可能是因为听室里的声学特性导致的。即使扬声器或试听的位置很小的改变都可以使声音的效果产生很深的影响，尤其在低频时。设法移动聆听的位置或者将扬声器放在不同的墙旁边。

如果没有选择，可以使用附带的泡沫柱塞来调整扬声器的低频表现。塞子是两件式组件，可使用外部(较大直径的一部份)或两部分组合在一起来进行一定程度的微调。仅使用外部(较大直径的泡沫柱塞)较使用整个泡沫柱塞组件提供较少的低音衰减。


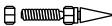

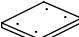
5. 煲机

在初始试听阶段，扬声器的性能会发生细微变化。如果扬声器被安装在较冷的房间内，驱动装置的阻尼复合组件和悬挂材料会需要一些时间来恢复其正确的机械性能。驱动装置的悬挂部分也会在最初使用的几小时内松动。使扬声器达到理想性能状态的时间将因以前的储存条件和使用方法而有所变化。作为使用指引，可以用一周时间来稳定温度的影响，或者用平均使用15小时的时间来使机械部分达到理想的设计性能。

6. 保养

箱体表面通常仅需要除尘。如果想要使用喷雾剂或其它清洁剂，请将清洁剂使用在布块上，不要直接喷到产品上，并先在一小块面积上试用，因为有些清洁产品可能会损坏表面。请勿使用具有磨蚀性，包含酸、碱或抗菌剂的产品。漆面上的污点可使用稀释的无香味皂液清除。余下的斑纹可喷上专用玻璃清洁剂，然后使用微细纤维布轻擦拭干。请勿对驱动单元使用清洁剂。请避免触摸驱动单元，因为可能导致损坏。





1. 開箱

	1
	4
	4
	1

包裝箱內的物品

檢查紙箱內的下列物品：

- 1 個泡棉栓塞
- 1 個附件包，包括：
 - 4 個M4釘腳
 - 4 個橡膠腳墊
 - 4 個防鬆螺母（對邊為10毫米）
- 1 個底座
- 1 個附件包，包括：
 - 1 個艾倫內六角扳鉗
 - 4 個M6 35毫米螺釘
 - 4 個平墊圈
 - 4 個防震墊圈

	1
	4
	4
	4

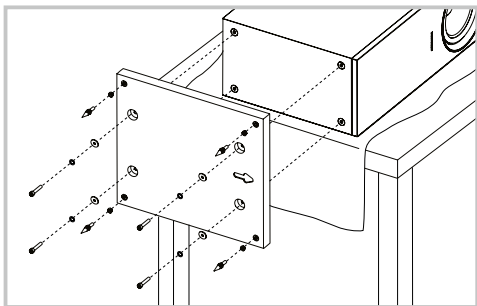
環保信息

本產品符合國際指令，包括但不限於：

- i. 有關電機和電子設備的有害物質禁用指令 (RoHS)
- ii. 化學品註冊、評估、許可和限制 (REACH)
- iii. 廢電機電子設備指令處理規定 (WEEE)

請諮詢閣下當地的廢棄物處理局，瞭解有關如何正確回收或處理本產品的指導。

2. 擺放位置



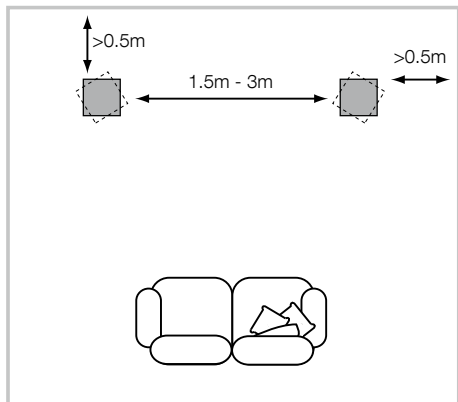
揚聲器的安裝

此揚聲器的安裝為座地式。盡可能使用附帶的釘腳把它固定在地板上。此外，為了更穩固，請安裝底座。

可於拆箱的過程時安裝底座，請遵循紙箱頂部紙瓣上的圖表。或可於產品完全拆箱後才安裝底座，把揚聲器擺放在鋪上布塊的適當支撐上(如桌子)，揚聲器的側面躺臥在支撐上，而底部懸垂。固定底座於箱體底部的連接孔，確保底座底部的箭頭指示向前。使用附帶的螺釘及墊圈來穩固底座。安裝防振墊圈於平墊圈與螺釘頭之間。使用附帶的艾倫內六角扳鉗把螺釘擰緊。

釘腳須穿過地毯，豎立在地板表面。首先把螺母旋扭到釘腳上，直到當釘腳安放在地面時，螺母剛好浮在地毯表面。然後將釘腳全部擰入底座的螺紋圈中。如果箱體在地板上搖晃，鬆開未接觸到地板的釘腳，直到箱體穩當放置，不再搖晃。最後把螺母向箱體方向鎖緊。先選擇好揚聲器的定位才安置及調整釘腳會較為便利。

如果沒有地毯，而希望避免刮花地板表面，可在釘腳和地板之間用上保護性的金屬盤（比如說硬幣），或是使用附帶的橡膠腳墊。安裝橡膠腳墊及平衡箱體的方法如安裝釘腳一樣。



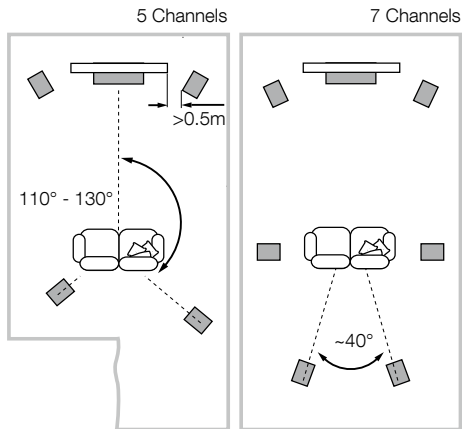
揚聲器的定位

初始安裝後的揚聲器的擺位將進一步提高聲音的質量，因此值得這樣做。

無論是在立體聲還是家庭影院的安裝中，要設法確保每個緊貼揚聲器周圍的物件在聲音特色上類似。例如，如果一個揚聲器的周圍是無遮蔽的牆，而另一個揚聲器的周圍是軟性陳設品或窗簾，則整個聲音質量和立體結像則可能受到影響。

傳統立體聲系統

首先，揚聲器應該定位在一個等邊三角形的兩個角的1.5至3米之間，而等邊三角形的第三角應該在視聽區。揚聲器應該離後牆約0.5米，而離任何一側牆至少約0.5米（見上圖）。



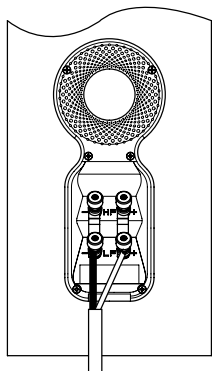
家庭影院系統

如果揚聲器被用於家庭影院中的前聲道，他們應該放置在較雙聲道相互更近的位置，因為環繞聲道趨向於將結像加寬。將揚聲器放置在離屏幕約0.5米之內也有助於使聲音結像與視覺影像成比例。猶如傳統的立體聲定位一樣，揚聲器應該處於離任何一側牆至少0.5米的理想位置。如果希望將揚聲器背著後牆放置，而該位置導致低音過強，請參見本手冊微調部分使用泡沫栓塞的信息。

雜散磁場

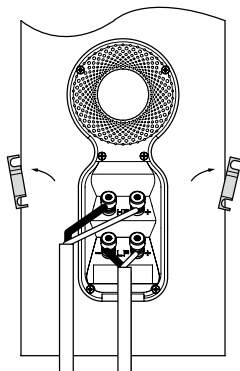
揚聲器的驅動系統可產生延伸到音箱周邊以外地方的雜散磁場。我們建議你將對磁場過敏的物體（如傳統的顯像管電視機和電腦屏幕、電腦磁盤、錄音及錄像帶、信用卡等）放置離它至少0.5米的地方。LCD、OLED及等離子電視不會受這種磁場所影響。

3. 連接



所有的連接應當在設備關閉時進行。

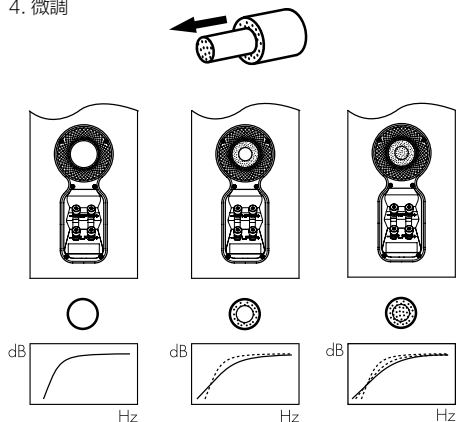
揚聲器的背部有兩對連著的端子。在傳統的连接中(見左上圖)，接線柱連接應該處於原來的位罝(如交付時那樣)，讓一對端子與放大器相連。在雙線連接或雙功放的情況(見右上圖)，接線柱連接應該除去，且每對端子須與放大器獨立相連接。雙線能夠提高低頻率細節的分辨率。



確保揚聲器上的正極端(標有+和紅色)與放大器的正極輸出端相連接，而揚聲器上的負極端(標有-和黑色)與放大器的負極輸出端相連接。不正確的連接會導致結像效果差和低音失真。

在選擇揚聲器接線時可向您的零售商諮詢。

4. 微調



在微調前，確保安裝中的所有連接正確且安全。

一般來說，把揚聲器移離牆壁可降低低音。揚聲器後的空間會幫助創造出一種聽覺上的深度感。相反，把揚聲器移近牆壁則可增加低音。如果您希望減少低音而不把揚聲器移離牆壁，可使用泡沫棉塞或泡棉環，來達到減低強烈的低音（見上圖）。

如果低音的頻率不均衡，這很可能是因為聽室里的聲學特性導致的。即使揚聲器或試聽的位置很小的改變都可以使聲音的效果產生很深的影響，尤其在低頻時。設法移動聆聽的位置或者將揚聲器放在不同的牆旁邊。

如果沒有選擇，可以使用附帶的泡沫栓塞來調整揚聲器的低頻表現。塞子是兩件式組件，可使用外部（較大直徑的一部份）或兩部分組合在一起來進行一定程度的微調。僅使用外部（較大直徑的泡沫栓塞）較使用整個泡沫栓塞組件提供較少的低音衰減。


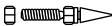


5. 煲機

在初始試聽階段，揚聲器的性能會發生細微變化。如果揚聲器被安裝在較冷的房間內，驅動裝置的阻尼復合組件和懸掛材料會需要一些時間來恢復其正確的機械性能。驅動裝置的懸掛部分也會在最初使用的幾小時內鬆動。使揚聲器達到理想性能狀態的時間將因以前的儲存條件和使用方法而有所變化。作為使用指引，可以用一週時間來穩定溫度的影響，或者用平均使用15小時的時間來使機械部分達到理想的設計性能。

6. 保養

箱體表面通常僅需要除塵。如果想要使用噴霧劑或其它清潔劑，請將清潔劑使用在布塊上，不要直接噴到產品上，並先在一小塊面積上試用，因為有些清潔產品可能會損壞表面。請勿使用具有磨蝕性，包含酸、鹼或抗菌劑的產品。漆面上的污點可使用稀釋的無香味皂液清除。餘下的斑紋可噴上專用玻璃清潔劑，然後使用微細纖維布輕擦拭乾。請勿對驅動單元使用清潔劑。請避免觸摸驅動單元，因為可能導致損壞。





1. 開梱

	1
	4
	4
	1

内容物

以下の内容を確認してください。

- フォームプラグ 1個
- アクセサリーバック1袋
- 中身
- ゴム足 4個
- M6スパイク 4本
- ロックナット(10mm平面幅) 4個
- 台座 1個
- アクセサリーバック 1袋
- 中身
- 六角レンチ 1個
- M6 x 35mmネジ 4個
- 平ワッシャー 4個
- 菊座ワッシャー 4個

	1
	4
	4
	4

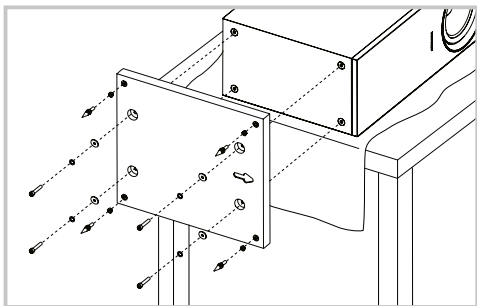
環境関連情報

本製品は以下を含む国際指令に準拠しています。

- i. 電子・電気機器における特定有害物質の使用制限 (RoHS)
- ii. 化学物質の登録、評価、認可および制限 (REACH)
- iii. 廃電気電子機器指令 (WEEE)

本製品の適切なリサイクルまたは処分方法の指針については現地の廃棄物処理当局にお問い合わせください。

2. 設置場所



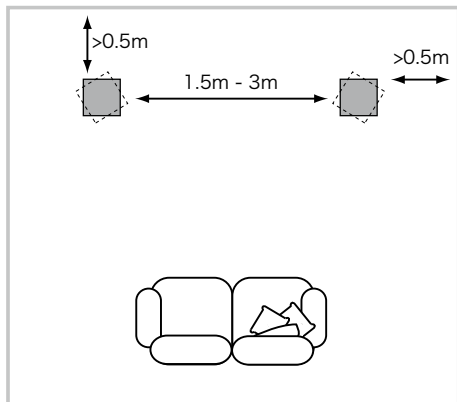
スピーカーの設置

本スピーカーはフロアに設置されることを前提に設計されています。可能な限り付属のスパイクを使用してフロアにしっかりと立たせる事が重要です。加えて、背の高いCM10は適切な安全性を持たせるために台座を使用します。

開梱するときに、カートンの上蓋の図に従って台座を取り付けることができます。或いは、テーブルのような適切なサポートに布をかけ、底部が突き出すようその上にスピーカーを横向きに寝かせることで、完全に開梱した後台座を取り付けることもできます。取り扱い中にキャビネットやドライブユニットを破損しないように細心の注意を払いながら作業を行ってください。台座の下側にある矢印が確実に前側を指すように台座とキャビネットの下側の取り付け穴を合わせてください。そして付属のねじとワッシャーを使用し、台座を固定させます。その際にねじの頭部分とワッシャーの間に菊座ワッシャーをはさみます。付属の六角レンチを使用して、ねじを締めこみます。

スパイクは、床の上に敷かれているカーペットを貫いて、床の上に設置するように設計されています。まず、フロアにスパイクが置かれた時に、カーペットの上に十分マットが浮かんだような状態になるように、スパイクのロックナットを廻しながら調整します。スパイクをねじ込み式のインサートに目一杯ねじ込んでください。もしキャビネットを、床面に置いたとき安定せずに揺れるようでしたら、揺れが止まり、キャビネットがしっかりと固定されるようになるまで、床に設置していない2本のスパイクを緩めて下さい。最後に、キャビネットに対してナットを固定してください。スピーカーの設置位置を最適に調整した後にはスパイクを調整した方が良いでしょう。

スピーカーを設置する場所にカーペットが全くなく、床の表面を傷つけたくない場合は、スパイクと床の間の保護的な金属ディスク(コイン等)を使用するか、または付属のゴム足を使用してください。スパイクと同じ方法でゴム足の高さを調整しキャビネットを設置して下さい。



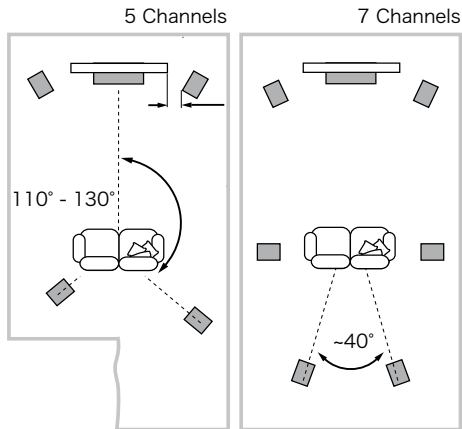
スピーカー設置位置

スピーカーを設置した後の設置位置の微調整は、サウンドクオリティを更に向上させます。通常それは実施するだけの価値のあるものです。

ステレオ又はホームシアターのどちらの場合でも、スピーカーの設置はそれぞれのスピーカーの設置環境が、音響的特性において同じになるように行ってください。例えば片方のスピーカーが露出した壁のすぐ近くに設置され、もう一方のスピーカーが軟らかい家具やカーテンの近くに設置されたとします。この場合は、総合的なサウンドクオリティとステレオイメージの両面で妥協した形になります。

従来のステレオシステム

始めに、左右のスピーカーを1.5mから3m離して設置し、次に左右のスピーカーがリスニングポジションを頂点とした2等辺三角形の位置になるように設置します。スピーカーは後ろの壁からは約0.5m、横の壁からは0.5m以上離して設置してください（上図）。



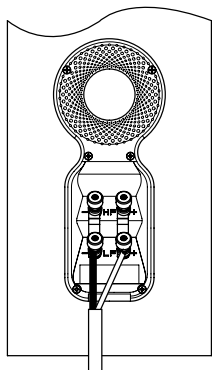
ホームシアターシステム

ホームシアターシステムのフロントチャンネルにこのスピーカーを使用する場合、サラウンドチャンネルが広がりのあるサウンドイメージを作る傾向にあるので、2チャンネルオーディオ（ステレオシステム）セッティングより左右のスピーカーが近くなるように設置してください。また映像のイメージとサウンドイメージのスケールが一致するように、フロントスピーカーはスクリーンの横から約0.5m以内に設置するようにしてください。ステレオセッティングと同様に、スピーカーはあらゆる壁から約0.5m以上離して設置することが理想的です。お使いのスピーカーを壁に掛ける場合に低音が過度に強調される時は、フォームプラグの使用について、このマニュアルの「微調整」のセクションを参照してください。

漏洩磁界

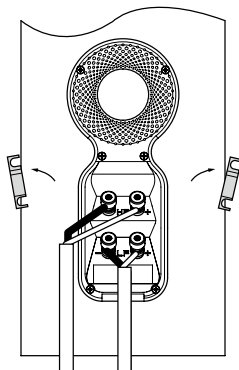
スピーカーのドライブユニットは、キャビネットを越えて磁界を発生させます。磁力に反応しやすい物品（ブラウン管テレビやコンピューターのモニター、フロッピー・ディスク、オーディオ/ビデオ・テープ、キャッシュ・カード類など）はスピーカーから少なくとも0.5メートルは遠ざけておいてください。液晶テレビや有機ELディスプレイやプラズマテレビは漏洩磁界に影響されません。

3. 接続



全ての接続は、必ず機器のスイッチを全てオフしてから行ってください。

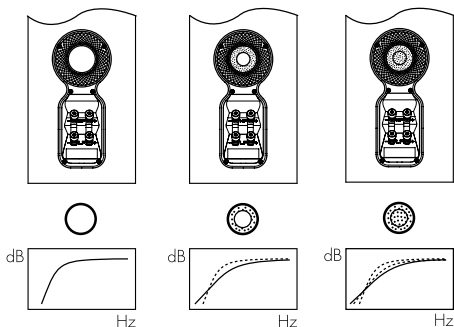
スピーカーの裏に、リンクされたターミナルが 2 ペアあります。従来の接続 (左上図) を行う場合、ターミナルリンクは所定の位置 (配送された状態) に残し、一方のペアのターミナルのみアンプに接続された状態にします。バイ・ワイヤ接続あるいはバイアンプ (右上図) を行う場合、ターミナルリンクを取り外し、ターミナルのペアをアンプにそれぞれ独自に接続する必要があります。バイ・ワイヤリングを行うと、低域のディテールの解像度が向上します。



スピーカーのプラス端子(“+”のマークがあり、端子の色は赤)をアンプのプラス出力端子に、スピーカーのマイナス端子(“-”のマークがあり、端子の色は黒)をアンプのマイナス出力端子を確実に接続します。間違った接続を行った場合、サウンドイメージが広がらないとか、低音が出ないといった現象が起きます。

スピーカーケーブルをお選びになる際はディーラーまたは各国の代理店へご相談ください。

4. 微調整



ファインチューニングの前に、もう一度全ての設置と接続が正しく且つ安全に行われているか確認して下さい。

一般的に壁からスピーカーを遠ざけると低音域の量が少なくなり、スピーカーの後ろにスペースをつくることによって、音場の奥行き感を得ることができます。逆に言えばスピーカーを壁に近づけることによって低音域のボリュームを増やすことができます。壁からの距離を変えずにスピーカーに低音域のふくらみを低減させたい場合には、スピーカーのバスレフポートにフォームプラグ挿入してみてください。また少し低音域を減少させたい場合はフォームリングをバスレフポートに挿入して下さい。フォームプラグ、又はフォームリングの使用方法は上図を参照して下さい。

低域の周波数にむらがあるようであれば、視聴している部屋の音響特性の結果である可能性が非常に高いと思われます。スピーカーの位置や視聴する位置のほんのわずかな変化ですら、音響パフォーマンス、特に低域の周波数には大きな影響を与える場合があります。視聴する位置を変えるか、可能であればお使いのスピーカーを別の壁に配置してみてください。

他に方法がない場合は、同梱のフォームプラグを使用してラウドスピーカーの低域パフォーマンスを調整することができます。フォームプラグは2つの部分から構成される部品であり、ある程度のファインチューニングが可能です。外側の大きい方の部分だけ分離して使うこともできますし、2つの部分を一緒に使うこともできます。フォームプラグの外側の大きい部分だけ使うと、一緒に使う場合に比べて、低域の減衰が少なくなります。


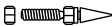


5. ならし運転

スピーカーの性能は、御使用になるにつれて微妙に変化します。スピーカーが冷たい環境に保管されていた場合、ドライブユニットのダンピング材とサスペンションが本来の機械的特性を取り戻すまで、しばらく時間が掛かります。ドライブユニットのサスペンションは音量やソースにもよりますが、鳴らし始めてから1時間くらいで徐々にほぐれてきます。スピーカーが意図された性能を取り戻すまでにかかる時間は、開梱までの保管条件や、どの様に使用されるかによって異なります。目安としては、温度による影響を安定させる為、ご使用される状況で1週間、また意図されたデザイン特性に達するために、平均15時間スピーカーを鳴らすことを見込んでください。

6. お手入れ

キャビネットの表面は、普段はほこりを払うだけで十分です。エアゾール剤その他の洗浄剤をお使いになりたい場合、洗浄剤によっては表面を傷めることもありますので、本体に直接お使いになるのではなく、布に取って小さな部分でお試しになってからお使いください。研磨剤、または酸、アルカリ、殺菌剤が含まれている製品はお使いにならないでください。塗装面の汚れは、薄めた無香料セッケン溶液で落ちる場合があります。それでも落ちない汚れは、専用のガラスクリーナーをスプレーし、マイクロファイバーの布で軽く拭き取ってください。破損の原因となる可能性がありますので、ドライブユニットに洗浄剤を使ったり触ったりしないでください。





1. 포장 풀기

	1
	4
	4
	1

내용물

아래 내용물이 들어 있는지 확인하십시오.

- 1 폼 롤러그
- 1 액세서리 팩
 - 4 고무 발받침
 - 4 M4 스파이크
 - 4 잠금 너트(폭 10mm)
- 1 플린스(스피커 받침)
- 1 액세서리 팩
 - 1 육각 렌치
 - 4 M6 x 35mm 스크류
 - 4 평 와셔
 - 4 내치 와셔

	1
	4
	4
	4

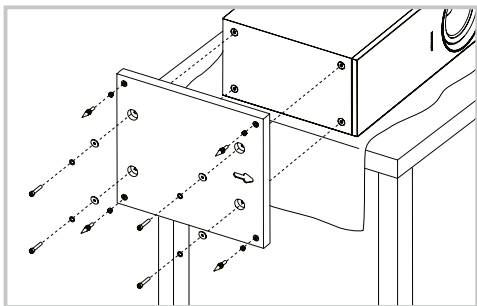
환경 정보

본 제품은 다음을 포함한 국제 지침을 준수하고 있습니다.

- i. 전기전자제품에 대한 유해물질의 사용제한(RoHS)
- ii. 화학물질관리제도(REACH)
- iii. 폐전기전자제품처리지침(WEEE)

포장재나 제품을 폐기할 경우 재활용 가능 자원의 분리 배출요령에 따라 수거하여 주십시오.

2. 설치 위치



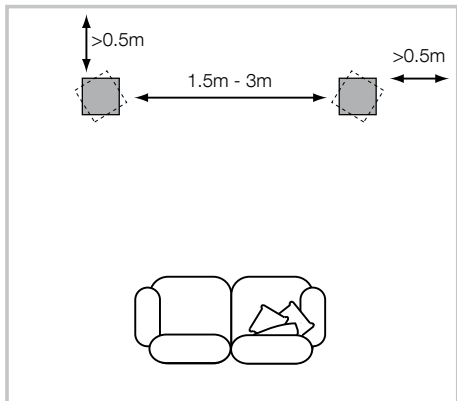
스피커 설치

본 스피커는 플로어 마운트로만 설치하도록 설계되어 있습니다. 가능한 한 부속 스파이크를 사용하여 바닥에 흔들리지 않게 세우는 것이 중요합니다. 아울러 스피커 받침(Plinth)을 사용하여 안정되게 설치해야 합니다.

포장을 해제할 때 위 그림처럼 박스 위에서 받침을 부착하거나 포장을 완전히 해체한 후 테이블을 천으로 덮고 그 위에 스피커를 놓혀 부착할 수 있습니다. 받침 밑면의 화살표가 전방을 향하도록 한 후 캐비닛 바닥의 구멍과 받침의 구멍을 맞추십시오. 그리고 부속 스크류와 와셔로 조여주십시오. 스크류 머리와 평면서 사이에 내치와셔를 끼우고 육각 렌치를 사용하여 단단히 조여 주십시오.

스파이크는 플로어에 깔려 있는 카펫트를 관통하여 바닥에 설치하도록 디자인되어 있습니다. 플로어에 스파이크가 닿았을 때 카펫트 상부와 너트 사이가 충분히 유격되도록 스파이크의 잠금 너트를 돌리면서 조정하십시오. 스피커 받침의 나사 구멍에 스파이크가 완전히 들어가도록 돌려서 끼워 주십시오. 스파이크가 플로어에 닿았을 때 캐비닛이 흔들리면, 흔들림이 멈추고 캐비닛이 확실하게 고정될 때까지 플로어에 닿지 않은 2개의 스파이크를 풀어 주십시오. 마지막으로 캐비닛 쪽으로 너트를 돌려 완전히 고정시키십시오. 스피커를 최적의 위치에 설치한 후 스파이크 높이를 조정하는 것이 좋습니다.

스피커를 설치하는 장소에 카펫트가 깔려있지 않거나 플로어 표면을 손상시키지 않으려면 스파이크와 플로어 사이에 금속 보호 디스크(동전 등)를 사용하거나 부속의 고무 발받침을 사용하십시오. 고무 발받침을 끼운 후 스파이크를 설치할 때와 같은 방법으로 캐비닛의 높이를 맞추십시오.



스피커 설치 위치

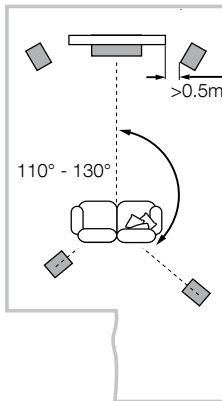
스피커를 설치한 후 최적의 음질을 얻기 위해 위치를 조정할 필요가 있습니다.

스테레오 또는 홈씨어터 어느 경우에 있어서도 설치 환경은 스피커 각각의 음향 특성이 동일하게 되도록 하여야 합니다. 예를 들면 한 쪽 스피커는 노출된 벽에 근접하여 배치되어 있고 다른 한 쪽 스피커는 부드러운 가구나 커튼 근처에 배치되면 전체적인 음질과 스테레오 이미지의 양면에서 타협하는 모양이 되어 바람직하지 않습니다.

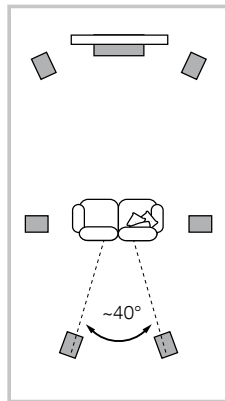
일반적인 스테레오 시스템

먼저 좌우 스피커의 간격을 1.5m ~ 3.0m 정도 유지시킨 후 좌우 스피커가 청취 위치를 정점으로 한 이등변 삼각형의 위치가 되도록 설치합니다. 스피커 뒷 벽면으로부터 약 0.5m, 좌우 벽면으로부터 0.5m 이상의 공간이 유지되도록 설치합니다. (위 그림)

5 채널



7 채널



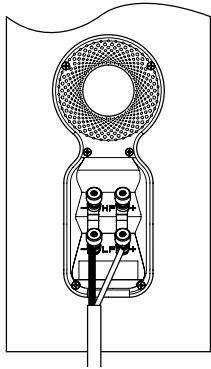
홈씨어터 시스템

홈씨어터 시스템의 프론트 채널에 이 스피커를 사용할 경우, 서라운드 채널이 확대된 사운드 이미지를 만들려는 경향이 있으므로 2 채널 오디오(스테레오 시스템)의 경우보다 좌우 스피커를 가깝게 설치하여 주십시오. 또 영상 이미지와 사운드 이미지의 스케일이 일치하도록 프론트 스피커는 스크린 가장자리에서 약 0.5m 이내에 설치하여 주십시오. 스피커 높이는 센터 스피커 높이와 스크린의 중심 사이에 위치하도록 하여 주십시오. 스테레오 설치 시와 동일하게 모든 벽면에서 0.5m 이상의 공간이 유지되도록 하는 것이 이상적입니다. 벽면에 가깝게 설치하면 저음이 강조됩니다. 이 위치에 설치하시고 싶다면 본 매뉴얼의 미세 튜닝에서 폴 플러그 사용 부분을 참조하십시오.

누설 자기장

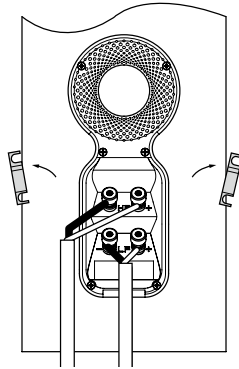
스피커 드라이브 유닛에서는 캐비닛의 범위를 넘어서 멀리 퍼지는 자기장이 생성됩니다. 자기장에 의해 반응하기 쉬운 물건(TV 및 컴퓨터 모니터, 컴퓨터 디스크, 오디오 및 비디오 테이프, 신용카드 등)을 스피커의 0.5m 이내에 두지 마십시오. LCD, OLED, 플라즈마 스크린(PDP)은 자기장의 영향을 받지 않습니다.

3. 연결



반드시 기기의 전원을 끈 상태에서 연결하십시오.

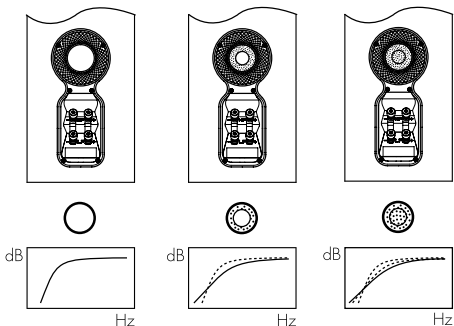
스피커 뒷면에는 터미널 링으로 연결된 2쌍의 단자가 있습니다. 일반적인 연결방법(위 왼쪽 그림)에서는 터미널 링이 그대로 연결된 상태에서 2쌍 중 한 쌍의 단자에 스피커 케이블을 연결하고 그 케이블을 앰프에 연결합니다. 바이 와이어링 연결(위 오른쪽 그림)에서는 먼저 터미널 링을 제거하고 2쌍의 단자에 스피커 케이블을 각각 독립적으로 연결한 후 이 케이블을 앰프의 스피커 단자에 연결합니다. 바이 와이어링으로 연결하면 저역 디테일의 해상도가 향상됩니다.



스피커의 플러스 단자(+ 및 적색으로 표시)와 앰프의 플러스 출력 단자가, 스피커의 마이너스 단자(- 및 흑색으로 표시)와 앰프의 마이너스 출력 단자가 올바르게 연결되었는지 확인하십시오. 연결이 올바르지 않을 경우 사운드 이미지가 흐려지고 저역이 손실될 수 있습니다.

스피커 케이블을 선택할 때는 대리점이나 전문가에게 문의하십시오.

4. 미세 튜닝



튜닝을 실시하기 전에 모든 연결 상태가 올바르고 안전한지 확인하십시오.

일반적으로 스피커를 벽에서 멀리 떼어 놓을수록 저음이 감소됩니다. 스피커 뒤쪽에 공간을 확보해야만 깊이 있는 음장감을 얻을 수 있습니다. 반대로 말하면 스피커를 벽에 가까이 설치하면 저음이 증가합니다. 벽과의 거리를 변경하지 않고 저음 양을 줄이고 싶다면 스피커의 베이스 포트에 폼 플러그를, 저음 양을 약간만 줄이려면 베이스 포트에 폼 링을 삽입해 보십시오. (위 그림)

혹시 저역 주파수가 고르지 않다고 느껴지면 이는 리스닝 룸의 공진 모드 때문일 가능성이 있습니다. 스피커의 위치 또는 감상 위치가 조금만 바뀌어도 이러한 공진의 영향이 개선될 수 있습니다. 감상 위치를 이동하거나 스피커를 다른 벽 쪽으로 옮겨 보십시오. 다른 대안이 없을 경우, 제공된 폼 플러그를 사용하여 저주파 성능을 조절할 수 있습니다. 폼 플러그는 내부, 외부 두 개의 파트로 구성되어 있으며 구경이 큰 외부 파트나 내외부 파트를 함께 사용하는 방법으로 미세 튜닝이 가능합니다. 직경이 큰 외부 폼 링만을 사용하면 폼 플러그로 완전히 막았을 때 보다 저역이 덜 감소합니다.

플로어 스탠드를 사용할 경우 바닥에 단단히 고정되어 있는지 확인하십시오. 바닥이 고르지 않으면 카펫 피어싱 스파이크를 사용하여 조정하십시오. FS-700 스탠드를 사용할 경우 최고의 안정성과 성능을 얻기 위해 하층을 증가시킬 것을 권장합니다. 스탠드 필라 안에 모래와 같은 소재로 가능한 한 충분한 채워십시오.

5. 길들이기

스피커의 성능은 초기 사용 기간 동안 미소하게 변화됩니다. 스피커를 차가운 곳에서 보관한 경우에는 드라이브 유닛의 뎀핑재 및 서스펜션이 본래의 기계적 특성을 정상적으로 회복하기까지 일정 시간이 소요됩니다. 또한 드라이브 유닛 서스펜션도 처음 한 시간만 사용하면 부드러워집니다. 스피커가 본래의 성능을 회복하기까지 필요한 시간은 보관 조건이나 사용 상태 등에 따라 다릅니다. 스피커가 온도 영향을 받지 않고 안정되기까지는 최소 1주일이 걸리며, 기계적 부품들은 평균 15시간 정도 사용한 후에야 본래의 디자인 특성을 얻을 수 있습니다.

6. 관리

캐비닛 표면은 먼지만 닦으면 됩니다. 에어로졸이나 클리너를 사용할 경우에는 먼저 캐비닛에서 그릴을 조심스럽게 분리하십시오. 스프레이는 캐비닛에 직접 뿌리지 말고 부드러운 천에 뿌려 사용하십시오. 클리너가 스피커 표면에 손상을 주지 않는지 먼저 극부 테스트를 통해 확인하십시오. 연마성이 있거나 산, 알칼리, 황균제를 함유한 제품은 사용하지 마십시오. 그릴은 캐비닛에서 분리한 상태에서 일반 옷솔로 청소하십시오. 청소할 때에는 손상될 위험이 있으므로 드라이브 유닛, 특히 트위터를 건드리지 않도록 각별히 주의하십시오.

Bowers & Wilkins

B&W Group Ltd
Dale Road
Worthing West Sussex
BN11 2BH England

Copyright © B&W Group Ltd. E&OE
Printed in China